

### PRODUCT ORDERING CODE

| CPF1 #1                 | 4 #2             | 150 #3                                      | S #4                | P #5                      | A #6           | 9 #7               | 4 #8               | A #9  | 0 #10                           | #11   | #12                                   |
|-------------------------|------------------|---|---------------------|---------------------------|----------------|--------------------|--------------------|---|---------------------------------|---|---------------------------------------|
| Series No.              | No. of Positions | Max Current Per Pin                         | Power Pin Plating   | Male Female               | Max Signal Use | Signal Pin Plating | Body Color         | Lock Method   | Prevention Key                  | Options                                     | Product Safety Certification          |
| CPF1<br>*HV Series      | 2<br>*Power Pin  | 150 AMP<br>*Standard Pin Type<br>3000 Times | S<br>*Silver Plated | S<br>*Receptacle & Socket | A<br>*6+6 Pins | 9<br>*Gold Plated  | 4<br>*Orange Color | 0<br>*W/O Lock & Solenoid Valve<br><b>2 in 1 Series</b>                       | 0<br>*W/O Key<br>P<br>*With Key | 0<br>Front & Rear Mounting<br>all available | 0<br>for UL 1977                      |
|                         | 4<br>*Power Pin  |   |                     |                           | P<br>*Plug     |                    |                    |   |                                 |   |                                       |
| CPF2<br>*Mini HV Series | 4<br>*Blades     | 75 AMP<br>*Blade Type<br>500 Times          |                     |                           | C<br>*6+0 Pins |                    |                    | A - 2 Way<br>B - 1 Way<br>*With Lock & Solenoid Valve<br><b>3 in 1 Series</b> |                                 | 1<br>Front Mounting                         | A<br>for UL 4128<br>(See Back View A) |
|                         | 8<br>*Blades     |   |                     |                           |                |                    |                    |   |                                 | 2<br>Rear Mounting                          | B<br>for UL 4128<br>(See Back View B) |

### CPF1



#### Characteristics

- Rated current : 150A x 2 couple with AWG #2
- Rated voltage : 1000V, both AC and DC
- Dielectric strength : 4250 AC
- Durability : 3,000 cycles
- Locking force : > 40 kgf
- IPX5 in mated condition
- Operating Temperature : -40°C ~ + 125°C

#### Material

- RoHS Compliant
- Base : High Temperature Plastic UL94V-0
- Cover : High Temperature Plastic UL94V-0
- Power Pin : Copper
- Signal Pin : Copper Alloy

### CPF2

#### Characteristics

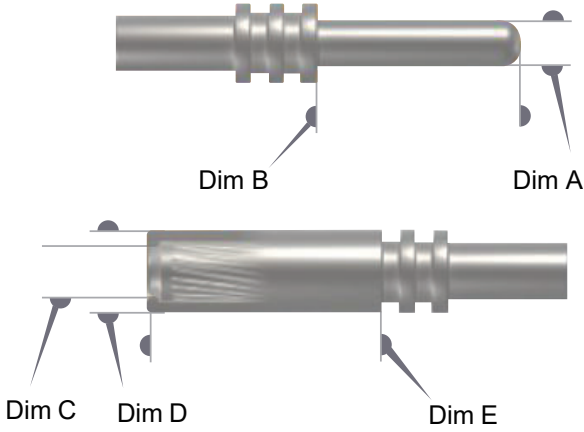
- Rated current : 75A x 4 couple With AWG #6
- Rated voltage : 400V, both AC and DC
- Dielectric strength : 1800V
- Durability : 500 cycles
- Locking force : > 40 kgf
- IP67 in mated condition
- Operating Temperature : -40°C ~ 125°C

#### Material

- RoHS Compliant
- Base : High Temperature Plastic UL94V-0
- Cover : High Temperature Plastic UL94V-0
- Power Pin : Copper
- Signal Pin : Copper Alloy



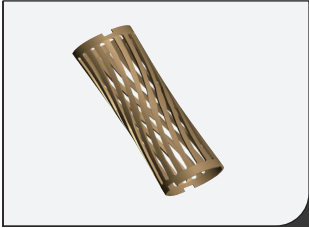
### HIGH POWER PIN



| No | Specification | Size(mm) |      |       |       |      | Current rating | Recommended wire | Mating force | Life cycles |
|----|---------------|----------|------|-------|-------|------|----------------|------------------|--------------|-------------|
|    |               | A        | B    | C     | D     | E    |                |                  |              |             |
| 1  | 1.5           | Φ1.5     | 11   | Φ1.65 | Φ3.5  | 12   | 10A            | 16 AWG           | 10N MAX      | 10000+      |
| 2  | 2.8           | Φ2.8     | 11   | Φ2.95 | Φ5.0  | 12   | 45A            | 10 AWG           | 10N MAX      | 10000+      |
| 3  | 3.0           | Φ3       | 10   | Φ3.15 | Φ5.5  | 11   | 50A            | 10 AWG           | 12N MAX      | 10000       |
| 4  | 3.6           | Φ3.6     | 11   | Φ3.75 | Φ6.0  | 12   | 70A            | 8 AWG            | 12N MAX      | 10000+      |
| 5  | 4.0           | Φ4       | 9.5  | Φ4.15 | Φ6.5  | 10   | 80A            | 6 AWG            | 12N MAX      | 10000       |
| 6  | 5.0           | Φ5       | 12   | Φ5.2  | Φ7.5  | 13   | 90A            | 6 AWG            | 20N MAX      | 10000+      |
| 7  | 6.0           | Φ6       | 15.5 | Φ6.2  | Φ8.5  | 18   | 120A           | 4 AWG            | 15N MAX      | 10000+      |
| 8  | 8.0           | Φ8       | 19   | Φ8.2  | Φ12.5 | 23.5 | 200A           | 1/0AWG           | 15N MAX      | 10000+      |
| 9  | 10.0          | Φ10      | 21.5 | Φ10.2 | Φ15   | 27   | 300A           | 3/0AWG           | 15N MAX      | 10000       |
| 10 | 12.0          | Φ12      | 22.5 | Φ12.2 | Φ17   | 27   | 400A           | 250MCM           | 20N MAX      | 10000+      |
| 11 | 16.0          | Φ16      | 15   | Φ16.2 | Φ20.5 | 16   | 500A           | 350MCM           | 20N MAX      | 10000       |
| 12 | 18.0          | Φ18      | 15   | Φ18.2 | Φ23   | 16   | 600A           | 500MCM           | 20N MAX      | 10000       |

### PRODUCT SERIES

Torsion Spring



3.6mm Terminal



6.0mm Terminal



3.0mm Terminal



### PRODUCT APPLICATION



Storage - UPS



Electric Car / Fast Charging



e-Scooter / e-Bike

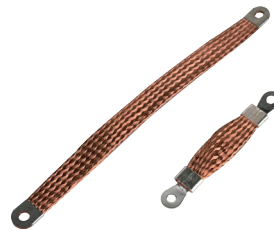
### BUS BAR



heat shrink tubing copper busbar



Multi-Layer Stacked Copper Strip Busbar



MB grounding copper mesh tape(1)



MB grounding copper mesh tape(2)



Tube PVC Dipping Bus Bar