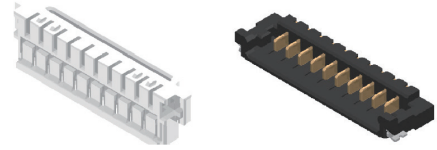


CI87 Series 1.50mm(.059") Wire to Board Housing & Terminal & SMT Header

- ⊙ Locking slots provide secure mating
- ⊙ Fixed tabs provide PCB hold-down and strain-relief for SMT tails
- ⊙ Insulator: High temperature plastic UL 94V-0, Color Black (Header)
- ⊙ Insulation: Nylon66 UL 94V-0, Color Nature (Housing)

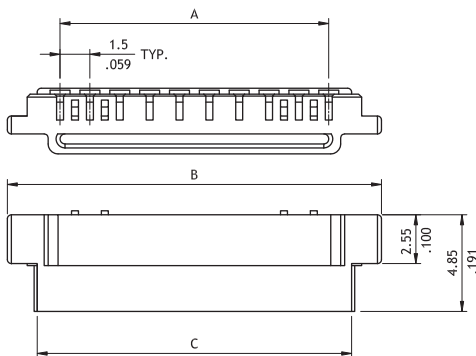


RoHS Compliant



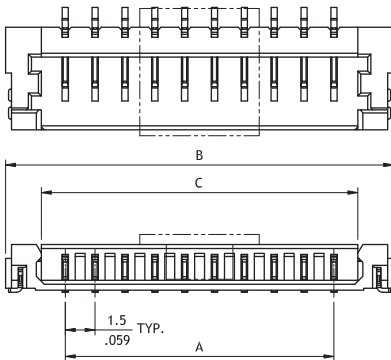
P/N CI87**S0000

Circuits	Dimension		
	A	B	C
8	10.5(.413)	15.8(.622)	12.8(.503)
10	13.5(.531)	18.8(.740)	15.8(.622)

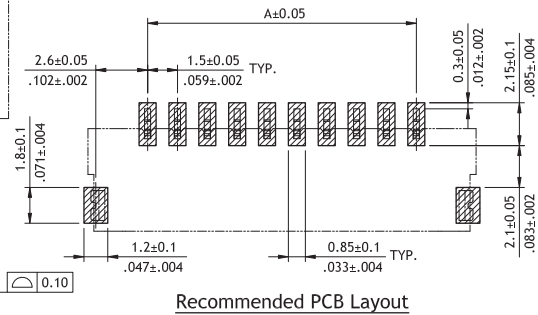
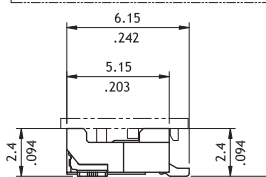
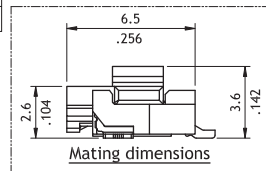
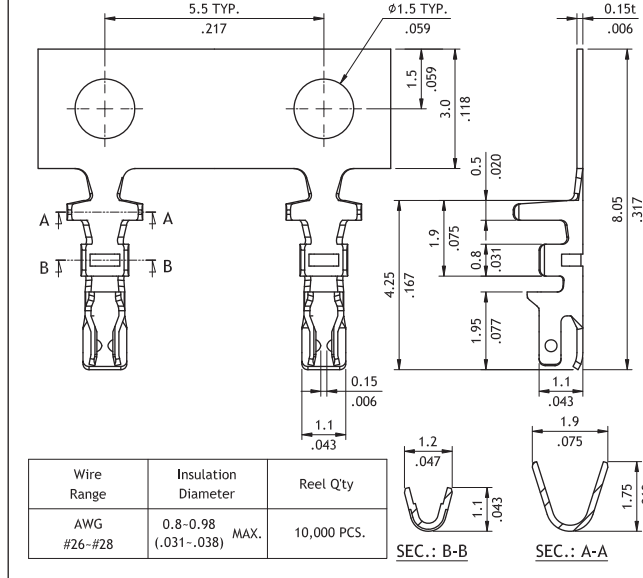


P/N CI87**M2VR0-NH

Circuits	Dimension		
	A	B	C
8	10.5(.413)	16.5(.650)	12.9(.508)
10	13.5(.531)	19.5(.768)	15.9(.626)



P/N CI87T012PP0



Ordering Code

- ① Series No.
 ② No. of Circuits: 8,10
 ③ S = Housing
 ④ Other Options: 0000 = Standard

- ① Series No.
 ② No. of Circuits: 8,10
 ③ M = SMT Type
 ④ Plating Code:
 2 = Gold plated over Nickel
 ⑤ Type: V = Top Entry
 ⑥ Packing Options: R = Tape & Reel
 ⑦ Other Options: 0 = Standard
 ⑧ Process: -NH = For Lead Free IR process and Halogen-Free

WIRE TO BOARD