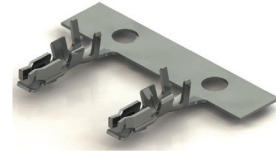


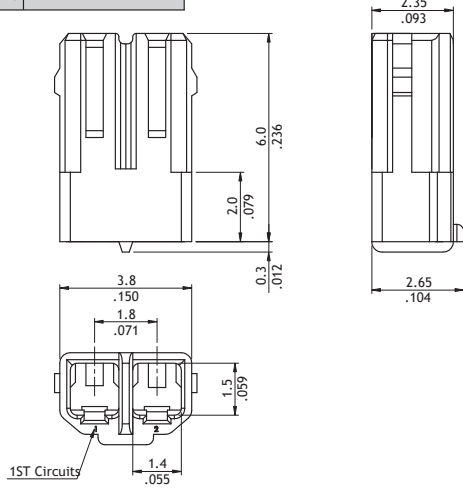
CI07 Series 1.80mm(.071") Wire to Board Connectors Housing & Terminal

- ⊙ Mate with CI07 Header
- ⊙ Can be used with CI07 Crimp Clip Terminal
- ⊙ Insulator: Nylon66 UL 94V-0, Color Nature

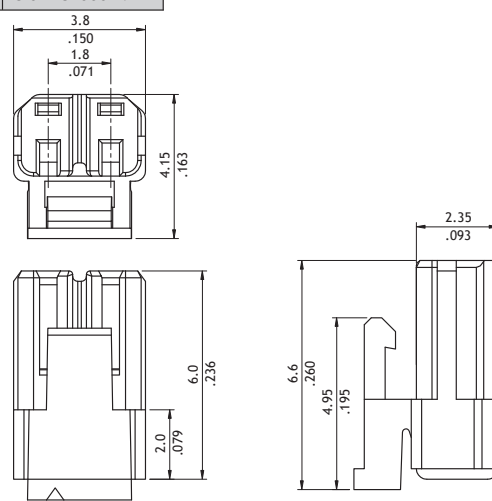
RoHS Compliant  



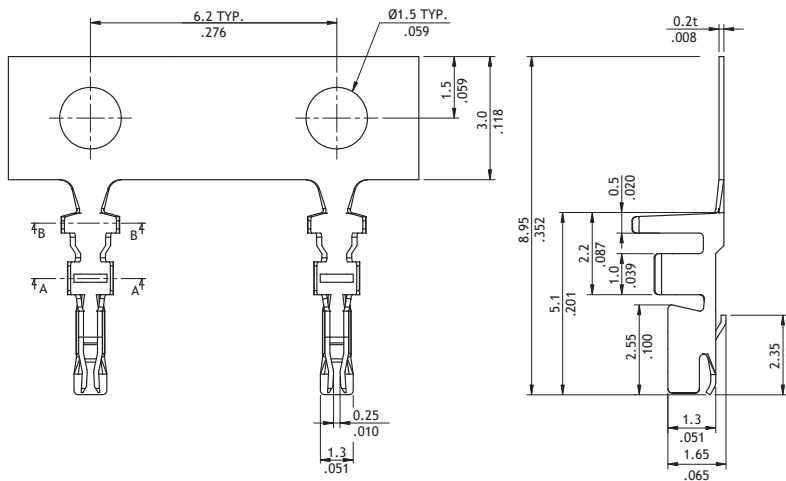
P/N CI07**S0000



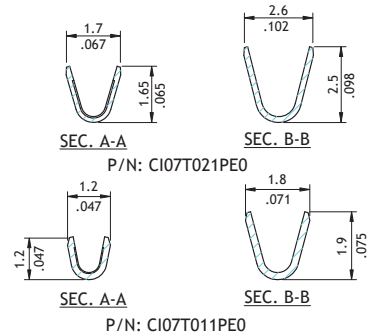
P/N CI07**SL000-NH



P/N CI07T021PE0



Wire Range	Insulation Diameter	Reel Qty
AWG #22-#26	0.95-1.3(mm) (.037-.051)	10,000 PCS
AWG #28-#30	0.88-0.95(mm) (.035-.037)	10,000 PCS



Ordering Code

① C I07 ② 02 ③ S ④ L000-NH

- ① Series No.
- ② No. of Circuits: 02
- ③ S = Housing
- ④ Other Options:
0000 = Without Locking Latch
L000-NH = With Locking Latch

① CI07 ② T02 ③ 1 ④ P ⑤ E0

- ① Series No.
- ② Type: T01 = AWG #28 ~ #30
T02 = AWG #22 ~ #26
- ③ Plating Code: 1 = Tin Plated
- ④ Material: P = Phosphor Bronze
- ⑤ Other Options: E0 = Standard