

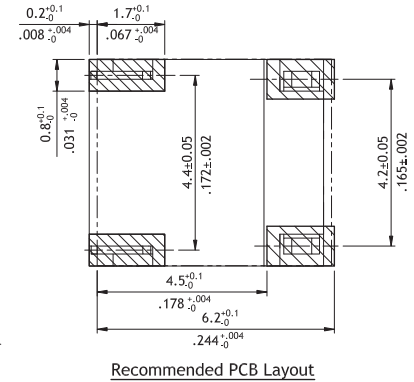
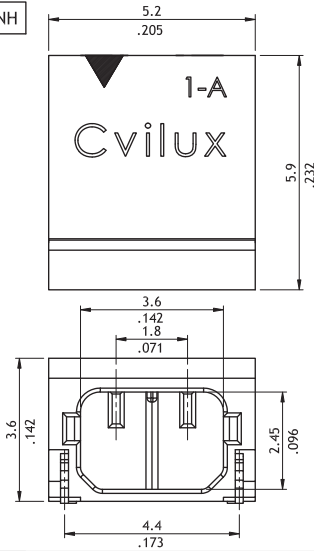
CI07 Series 1.80mm(.071") Wire to Board Connectors SMT Headers

- ⊙ Fixed tabs provide PCB hold-down
- ⊙ Mate with CI07 Housing
- ⊙ Insulator: High temperature plastic UL 94V-0, Color Nature

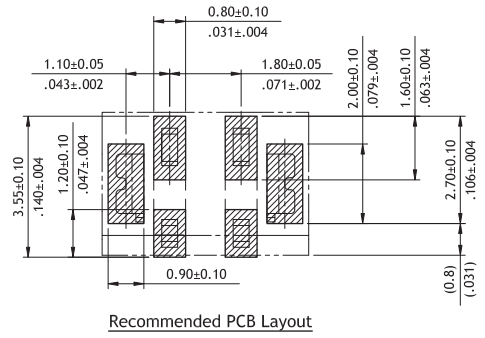
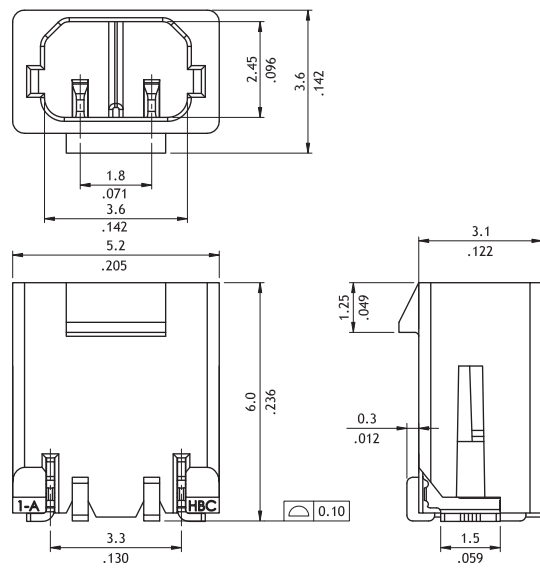
RoHS Compliant   



P/N CI07**M1HRL-NH



P/N CI07**M1VRL-NH



Ordering Code

① CI07 ② 02 ③ M ④ 1 ⑤ H R L - NH ⑥ ⑦ ⑧

- ① Series No.
- ② No. of Circuits: 02
- ③ M = SMT Type
- ④ Plating Code:
1 = Matte Tin over Nickel

- ⑤ Type: H = Side Entry
V = Top Entry
- ⑥ Packing Options: R = Tape & Reel
- ⑦ Other Options:
L = With Locking Ramp
- ⑧ Process: -NH = For Lead Free IR process and Halogen-Free