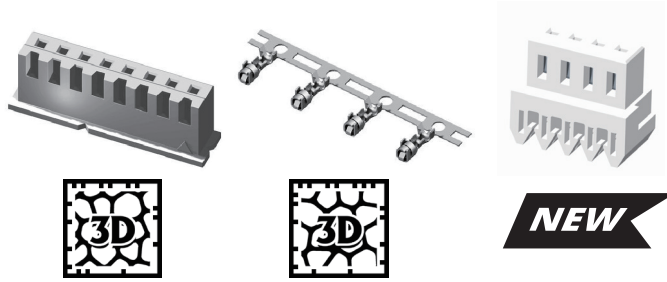


CI22 Series 2.50mm(.098") Wire to Board IDC Connectors Housing & Terminal

- ⊙ Low profile with locking ribs
- ⊙ Mate with CI22 Header
- ⊙ Can be used with CI22 crimp clip terminal
- ⊙ Insulator: Nylon 66 UL 94V-0, Color Nature
- ⊙ Terminal: Tin plated Brass or Phosphor Bronze



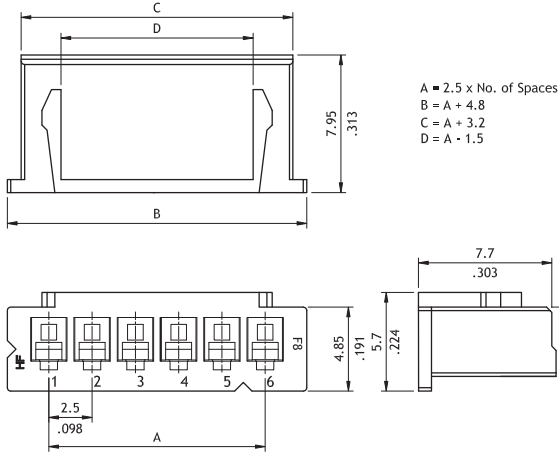
RoHS Compliant



NEW

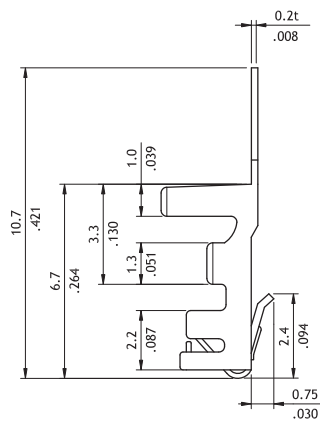
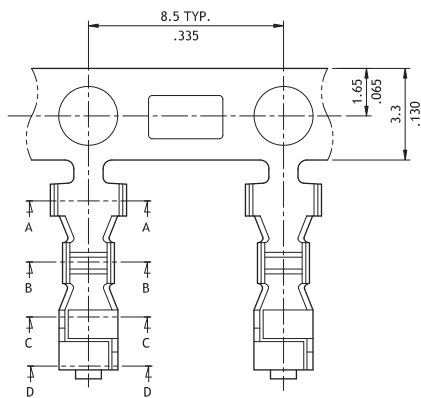
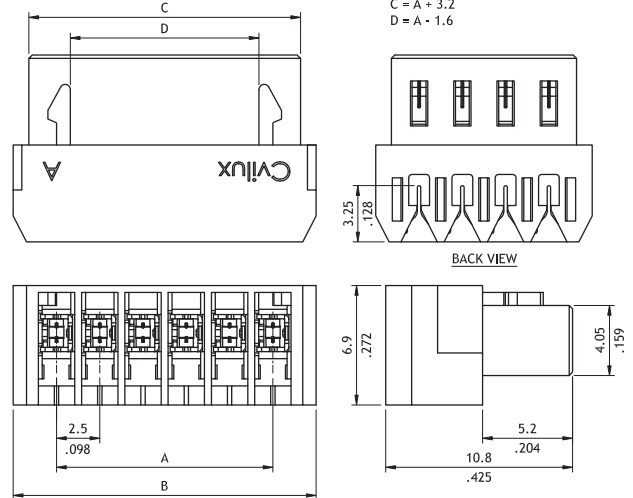
Crimp Type Housing :

P/N	CI22**S0000
-----	-------------

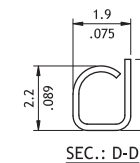
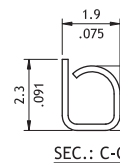
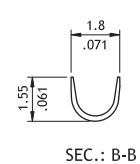
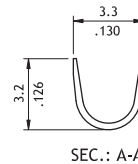


IDC Type Housing :

P/N	CI22**S1000
-----	-------------



Wire Range	Insulation Diameter	Reel Q'ty
AWG #22-#28	1.60 (.063) MAX.	6,000 PCS.



Ordering Code

① C ② 122 ③ 15 ④ S ⑤ 0000

- ① Series No.
- ② No. of Circuits: 02 to 15
- ③ S = Housing
- ④ Other Options: 0000 = Standard
- *Special options consult manufacturer

① C ② 122 ③ 15 ④ S ⑤ 2 ⑥ 000

- ① Series No.
- ② No. of Circuits: 02 to 15
- ③ S = Housing
- ④ Plating Code:
1 = Matte Tin over Nickel
2 = Gold flash over Nickel
- ⑤ Other Options: 000 = Standard