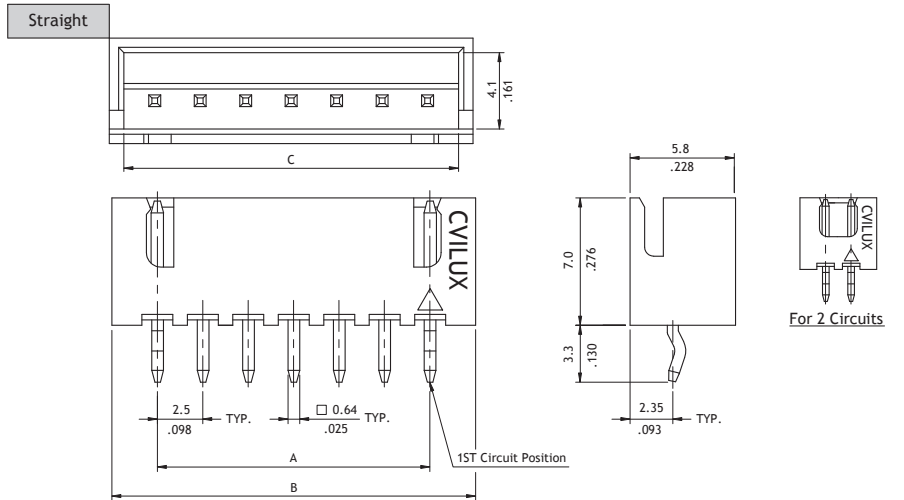
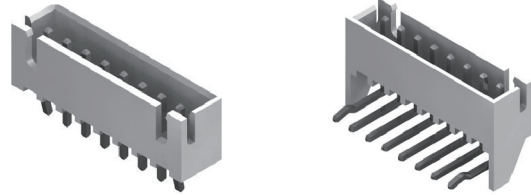
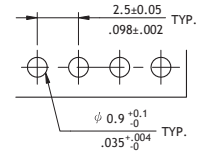
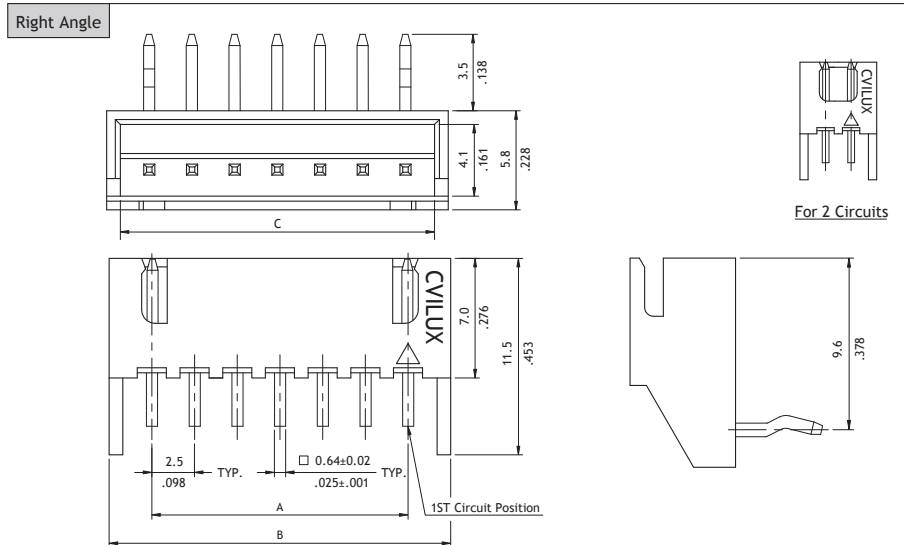


CI22 Series 2.50mm(.098") Wire to Board Connectors DIP Headers

- ⊙ With locking slot and Pin Kinked
- ⊙ Mate with CI22 housing
- ⊙ Insulator: Polyamide UL 94V-0 , Color Nature
- ⊙ With Tin plated 0.64mm square pin



Circuits	Dimension		
	A	B	C
2	2.5(.098)	7.5(.295)	6.0(.236)
3	5.0(.197)	10.0(.394)	8.5(.335)
4	7.5(.295)	12.5(.492)	11.0(.433)
5	10.0(.394)	15.0(.591)	13.5(.531)
6	12.5(.492)	17.5(.689)	16.0(.630)
7	15.0(.591)	20.0(.787)	18.5(.728)
8	17.5(.689)	22.5(.886)	21.0(.827)
9	20.0(.787)	25.0(.984)	23.5(.925)
10	22.5(.886)	27.5(1.083)	26.0(1.024)
11	25.0(.984)	30.0(1.181)	28.5(1.122)
12	27.5(1.083)	32.5(1.280)	31.0(1.220)
13	30.0(1.181)	35.0(1.378)	33.5(1.319)
14	32.5(1.280)	37.5(1.476)	36.0(1.417)
15	35.0(1.378)	40.0(1.575)	38.5(1.516)
16	37.5(1.476)	42.5(1.673)	41.0(1.614)
17	40.0(1.575)	45.0(1.772)	43.5(1.713)
18	42.5(1.673)	47.5(1.870)	46.0(1.811)
19	45.0(1.772)	50.0(1.969)	48.5(1.909)
20	47.5(1.870)	52.5(2.067)	51.0(2.008)



Recommended PCB Layout

Ordering Code

① CI22 ② 20 ③ P ④ 1 ⑤ V K0 - ⑥ NH ⑦

- ① Series No.
- ② No. of Circuits: 02 to 20
- ③ P = DIP Type
- ④ Plating Code: 1 = Matte Tin over Nickel
- ⑤ Type: V = Straight
H = Right Angle
- ⑥ Other Options:
00 = Without Pin Kinked
K0 = With Pin Kinked (Standard)
- ⑦ Process: -LF = For Lead Free soldering process
-NH = For Lead Free soldering process and Halogen-Free

*Special options consult manufacturer