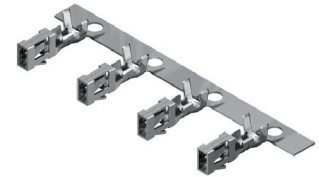
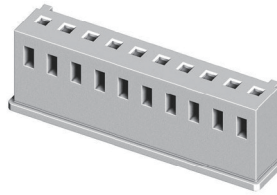
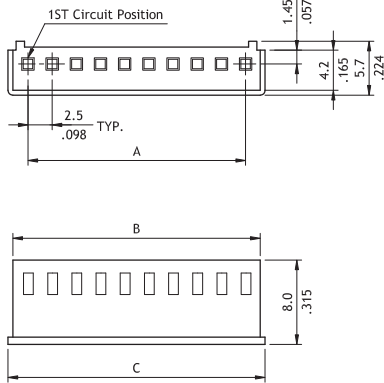


CI23 Series 2.50mm(.098") Wire to Board Connectors Housing & Terminal

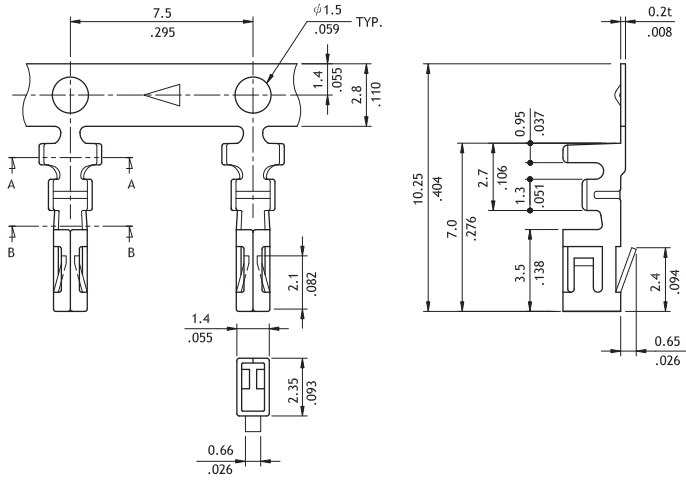
- ⊙ Low profile with locking tab
- ⊙ Mate with CI23 header
- ⊙ Can be used with CI23 crimp clip terminal
- ⊙ Terminal accommodated AWG #22 ~ #28
- ⊙ Insulator: Nylon 66 UL 94V-2 , Color Ivory
- ⊙ Terminal: Tin plated Phosphor Bronze



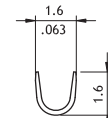
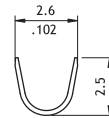
RoHS Compliant  



Circuits	Dimension		
	A	B	C
2	2.5(.098)	6.0(.236)	7.2(.283)
3	5.0(.197)	8.5(.335)	9.7(.382)
4	7.5(.295)	11.0(.433)	12.2(.480)
5	10.0(.394)	13.5(.531)	14.7(.579)
6	12.5(.492)	16.0(.630)	17.2(.677)
7	15.0(.591)	18.5(.728)	19.7(.776)
8	17.5(.689)	21.0(.827)	22.2(.874)
9	20.0(.787)	23.5(.925)	24.7(.972)
10	22.5(.886)	26.0(1.024)	27.2(1.071)
11	25.0(.984)	28.5(1.122)	29.7(1.169)
12	27.5(1.083)	31.0(1.220)	32.2(1.268)



Wire Range	Insulation Diameter	Reel Qty
AWG #22-#28	1.9 (.075) MAX.	8,000 PCS



Ordering Code

① C I 23 ② 1 2 ③ S ④ 0 0 0 0

- ① Series No.
- ② No. of Circuits: 02 to 12
- ③ S = Housing
- ④ Other Options: 0000 = Standard
- *Special options consult manufacturer

① C I 23 ② T 0 2 ③ 1 ④ P ⑤ E 0

- ① Series No.
- ② Type: T02 = AWG #22 ~ #28
- ③ Plating Code: 1 = Tin over Nickel
- ④ Material: P = Phosphor Bronze
- ⑤ Other Options: E0 = Standard