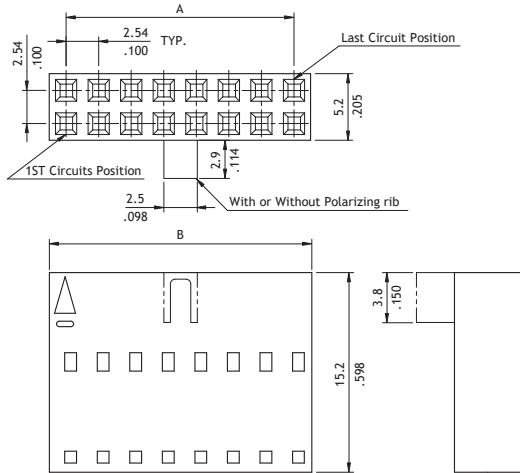
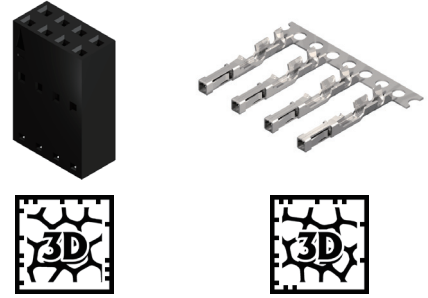


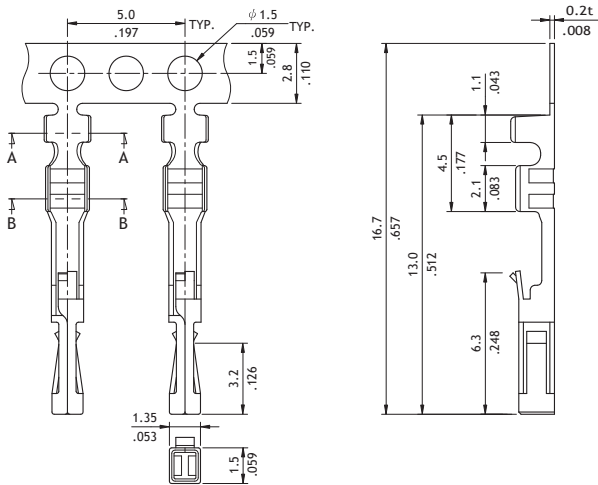
CI33 Series 2.54mm(.100") Dual Row Wire to Board Connectors

- Ⓞ With positive locking latch
- Ⓞ Mate with CH81, CH84, and CH87 Header
- Ⓞ Can be used with CI33 crimp clip terminal
- Ⓞ Insulator: Glass filled polyester UL 94V-0, Color Black
- Ⓞ With Tin plated Phosphor Bronze

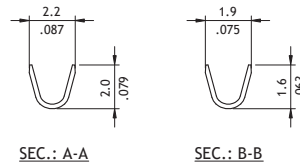
RoHS Compliant 



Circuits	Dimension		Circuits	Dimension	
	A	B		A	B
4	2.54(.100)	5.2(.205)	34	40.64(1.600)	43.3(1.705)
6	5.08(.200)	7.7(.303)	36	43.18(1.700)	45.9(1.807)
8	7.62(.300)	10.3(.406)	38	45.72(1.800)	48.4(1.906)
10	10.16(.400)	12.8(.504)	40	48.26(1.900)	50.9(2.004)
12	12.7(.500)	15.4(.606)	42	50.8(2.000)	53.5(2.106)
14	15.24(.600)	17.9(.705)	44	53.34(2.100)	56.0(2.205)
16	17.78(.700)	20.5(.807)	46	55.88(2.200)	58.6(2.307)
18	20.32(.800)	23.0(.906)	48	58.42(2.300)	61.1(2.406)
20	22.86(.900)	25.5(1.004)	50	60.96(2.400)	63.6(2.504)
22	25.4(1.000)	28.1(1.106)	52	63.5(2.500)	66.2(2.606)
24	27.94(1.100)	30.6(1.205)	54	66.04(2.600)	68.7(2.705)
26	30.48(1.200)	33.2(1.307)	56	68.58(2.700)	71.3(2.807)
28	33.02(1.300)	35.7(1.406)	58	71.12(2.800)	73.8(2.906)
30	35.56(1.400)	38.2(1.504)	60	73.66(2.900)	76.3(3.006)
32	38.1(1.500)	40.8(1.606)			



Wire Range	Insulation Diameter	Reel Qty
AWG #22-#28	1.7 (.067) MAX.	15,000 PCS.



Ordering Code

① C I 3 3 ② 6 0 ③ S ④ 0 D 1 0

- ① Series No.
- ② No. of Circuits: 04 to 60
- ③ S = Housing
- ④ Other Options:
0D10 = Without Polarizing Rib
0D1A = With Polarizing Rib
*Special options consult manufacturer

① C I 3 3 ② T 0 2 ③ 1 ④ P ⑤ E 0

- ① Series No.
- ② Type: T02 = AWG #22 ~ #28
- ③ Plating Code: 1 = Tin over Nickel
- ④ Material: P = Phosphor Bronze
- ⑤ Other Options: E0 = Standard