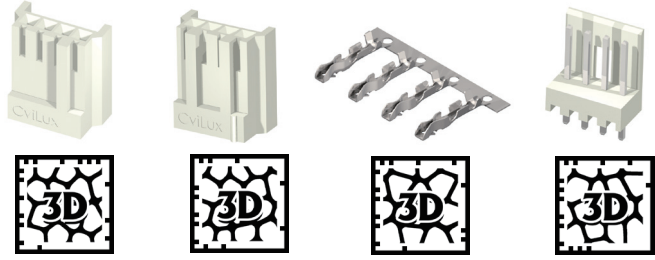
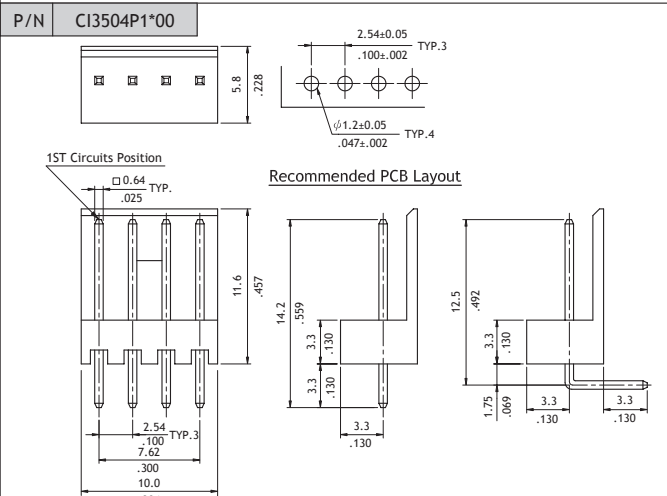
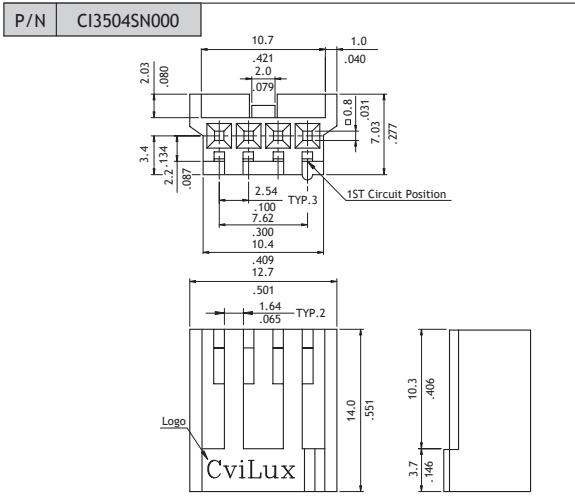
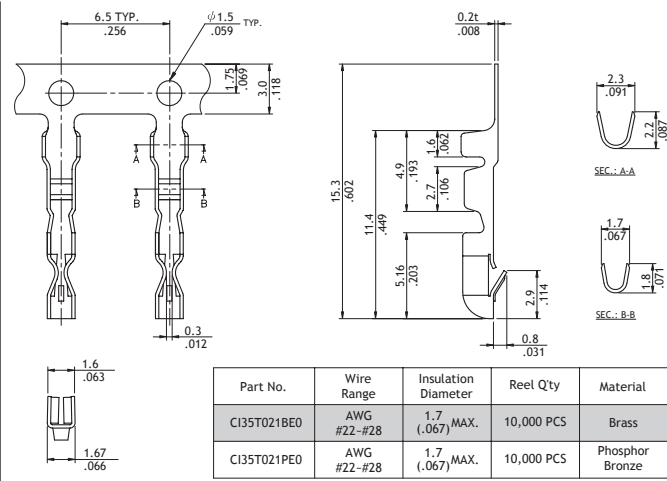
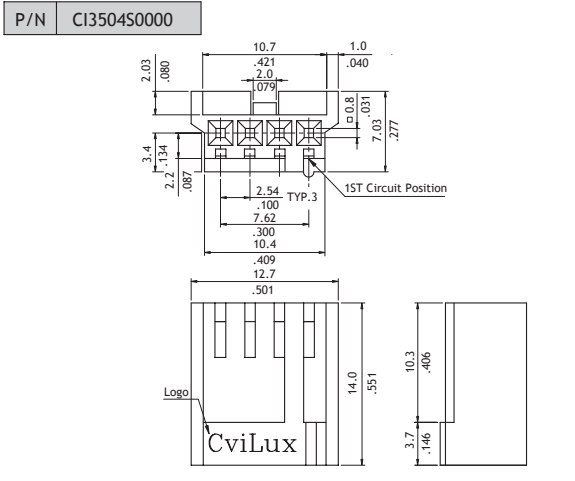


CI35 Series 2.54mm(.100") Wire to Board Connectors

- ⊙ Housing with locking Ribs
- ⊙ Header with locking wall
- ⊙ Can be used with CI35 crimp clip terminal
- ⊙ Insulator: Nylon 66 UL 94V-0, Color Nature
- ⊙ With Tin plated 0.64mm square pin
- ⊙ Terminal: Tin plated Brass, Phosphor Bronze



RoHS Compliant



Ordering Code

① ② ③ ④
C I 3 5 0 4 S 0 0 0 0

- ① Series No.
- ② No. of Circuits: 04
- ③ S = Housing
- ④ Other Options:
 0000 = Single Rib (Standard)
 N000 = Dual Ribs
 *Special options consult manufacturer

① ② ③ ④ ⑤ ⑥
C I 3 5 0 4 P 1 V 0 0

- ① Series No.
- ② No. of Circuits: 04
- ③ P = Pin Header
- ④ Plating Code: 1 = Tin over Nickel
- ⑤ Type: V = Straight ; H = Right Angle
- ⑥ Other Options: 00 = Standard
 *Special options consult manufacturer