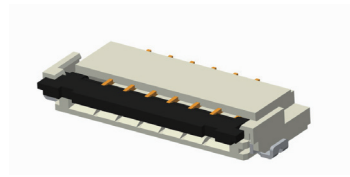
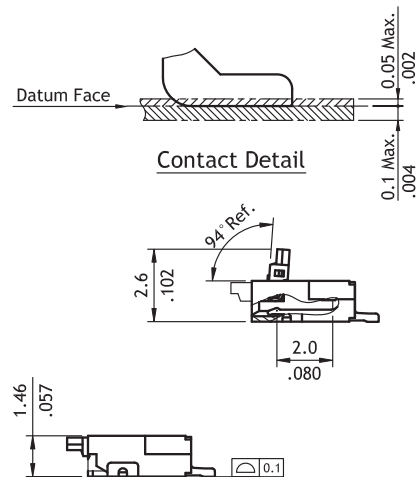
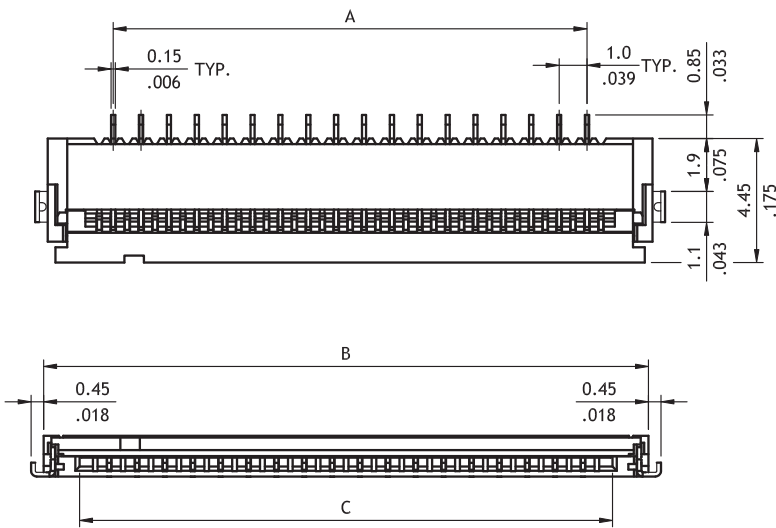


**CF50 Series 1.00mm(.039")H=1.46 SMT ZIF One-Touch FFC/FPC Connectors**

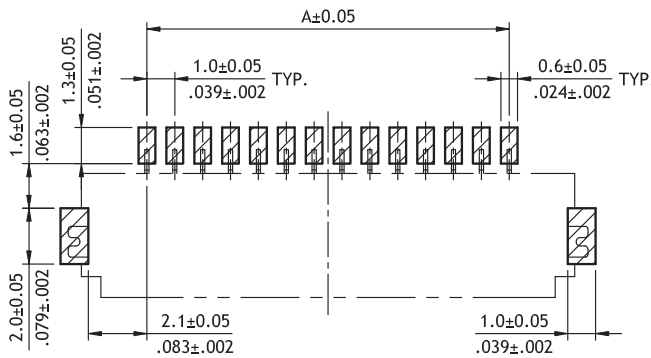
- ⊙ 1.46mm above the board
- ⊙ FFC/FPC zero insertion force and high retention force
- ⊙ Insulation: High temperature plastic UL 94V-0, Color Nature
- ⊙ Cover: High temperature plastic UL 94V-0, Color Black
- ⊙ Actuator designed easy for FFC/FPC installation and reliable operation
- ⊙ With metal fixed tabs to secure connector in place



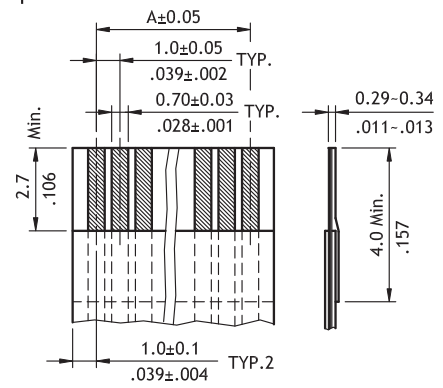
RoHS Compliant



A = 1.0 \* No. of Spaces  
 B = A + 4.7  
 C = A + 2.12



Recommended PCB Layout



Accommodated FFC/FPC

Ordering Code		①	②	③	④	⑤	⑥	⑦	⑧
		CF	50	24	1	D	0	R0	- 10 - NH
① Series No.	④ Contact Style: D = Downside Contact	⑦ Pitch: 10 = 1.00 mm							
② No. of Circuits: 04 to 30 (Available: 4,6,8,10,12,18,24,26,30) *Circuits not found above please consult manufacturer*	⑤ Color: 0 = Nature	⑧ Process: -NH = For Lead Free IR process and Halogen-Free							
③ Plating Code: 1 = Matte Tin over Nickel F = Gold flash over Nickel	⑥ Packing: R0 = Tape & Reel without Mylar R1 = Tape & Reel with Mylar								