

CP04 Series 4.00mm(.157") High Voltage Wire to Board Connectors

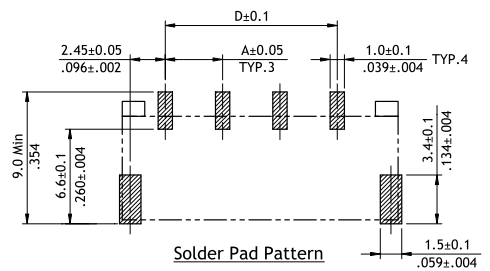
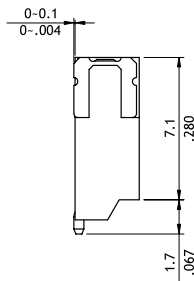
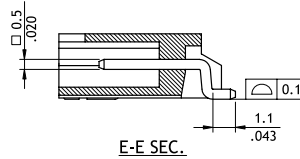
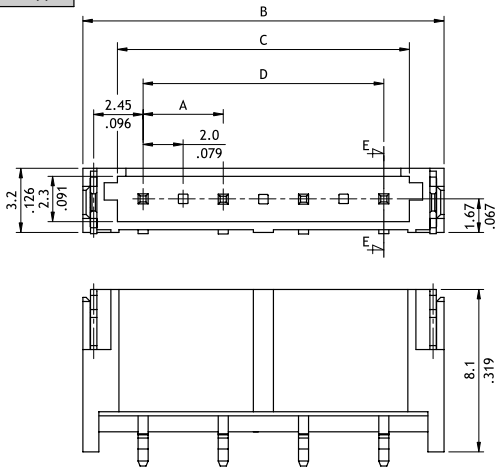
- Current Rating: 1.0A AC/DC (AWG #22)
- Voltage Rating: 2000V AC/DC (12.0mm pitch)
- Shrouded headers with Fixed Tabs
- Low profile with polarizing device
- Insulator: High temperature plastic UL 94V-0, Color Nature
- Terminal: Tin plated Brass



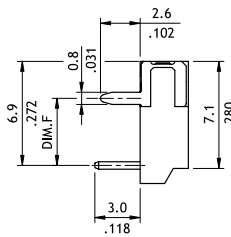
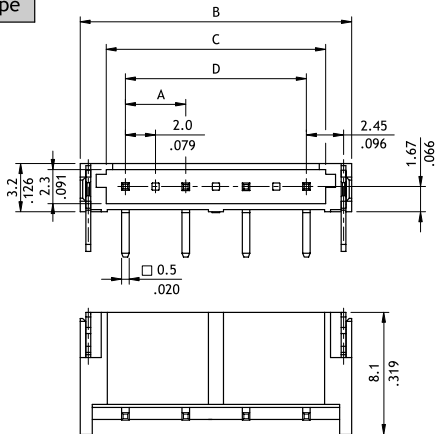
RoHS Compliant

CP

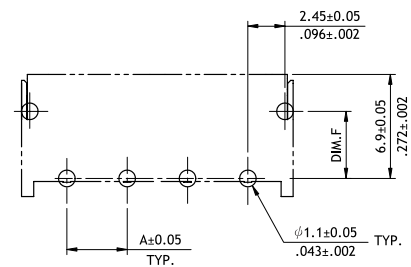
SMT Type



DIP Type



Circuits	Dimension			
	A (Pitch)	B	C	D
2A	4.0(.157)	10.0(.394)	6.5(.256)	4.0(.157)
2B	8.0(.315)	14.0(.551)	10.5(.413)	8.0(.315)
2C	12.0(.472)	18.0(.709)	14.5(.571)	12.0(.472)
2D	16.0(.630)	22.0(.866)	18.5(.728)	16.0(.630)
3A	4.0(.157)	14.0(.551)	10.5(.413)	8.0(.315)
3B	8.0(.315)	22.0(.866)	18.5(.728)	16.0(.630)
4A	4.0(.157)	18.0(.709)	14.5(.571)	12.0(.472)
5A	4.0(.157)	22.0(.866)	18.5(.728)	16.0(.630)



Ordering Code

① CP04 ② 2 ③ A ④ P ⑤ 1 ⑥ H T ⑦ 0 - ⑧ NH

- ①** Series No.
- ②** No. of Circuits: 2 to 5
- ③** Circuits pitch:
A = 4.0mm; B = 8.0mm
C = 12.0mm; D = 16.0mm
- ④** P = Header
- ⑤** Plating:
1 = MatteTin over Nickel
- ⑥** Contact Type:
M = SMT Type
H = Right Angle DIP Type
- ⑦** Packing Options:
T = Tube
R = Tape & Reel (SMT Type)
- ⑧** Other Options:
SMT: 0 = Standard
DIP: 0 = With metal pegs, DIM F = 4.45mm
1 = With metal pegs, DIM F = 5.75mm
2 = Without metal peg
- ⑨** -LF = For Lead Free soldering process
-NH = For Lead Free soldering process and Halogen-Free