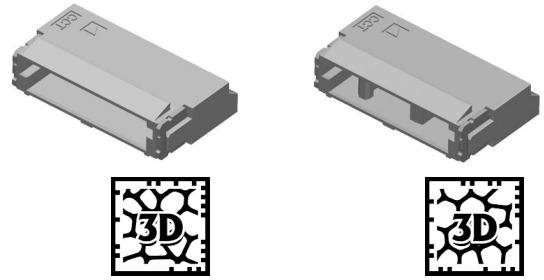
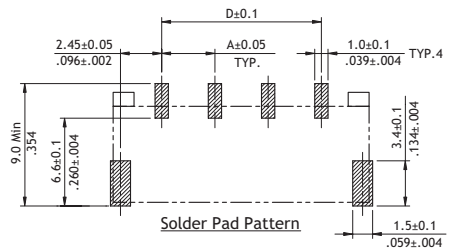
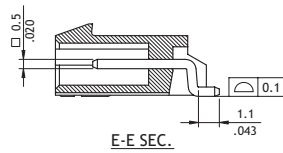
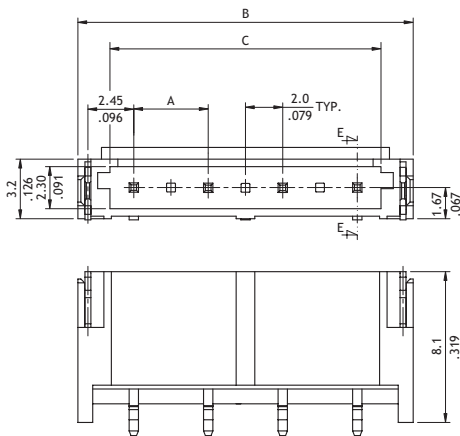


CP04 Series 4.00mm(.157") High Voltage Wire to Board Connectors

- ⊙ Current Rating: 1.0A AC/DC (AWG #22)
- ⊙ Voltage Rating: B type = 3000V AC/DC, L type = 2000V AC/DC
- ⊙ Shrouded headers with Fixed Tabs
- ⊙ Low profile with polarizing device
- ⊙ Insulator: High temperature plastic UL 94V-0, Color Nature
- ⊙ Terminal: Tin plated Brass

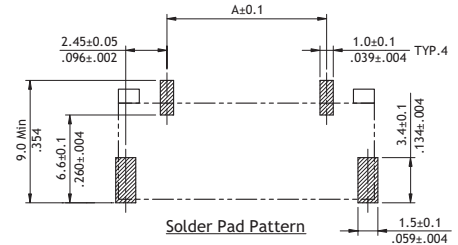
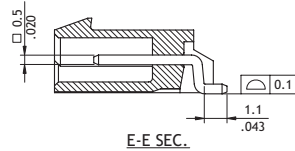
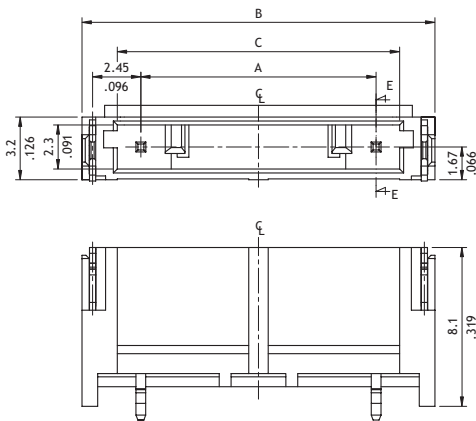


P/N CP04**P1ML0-NH



Circuits	Dimension			
	A (Pitch)	B	C	D
2A	4.0(.157)	10.0(.394)	6.5(.256)	4.0(.157)
2B	8.0(.315)	14.0(.551)	10.5(.413)	8.0(.315)
2C	12.0(.472)	18.0(.709)	14.5(.571)	12.0(.472)
2D	16.0(.630)	22.0(.866)	18.5(.728)	16.0(.630)
3A	4.0(.157)	14.0(.551)	10.5(.413)	8.0(.315)
3B	8.0(.315)	22.0(.866)	18.5(.728)	16.0(.630)
4A	4.0(.157)	18.0(.709)	14.5(.571)	12.0(.472)
5A	4.0(.157)	22.0(.866)	18.5(.728)	16.0(.630)

P/N CP04**P1MB0-NH



Circuits	Dimension		
	A (Pitch)	B	C
2B	8.0(.315)	14.0(.551)	10.5(.413)
2C	12.0(.472)	18.0(.709)	14.5(.571)
2D	16.0(.630)	22.0(.866)	18.5(.728)
2E	13.0(.512)	19.0(.748)	15.5(.610)

Ordering Code

① CP04 ② 2 ③ A ④ P ⑤ 1 ⑥ M ⑦ B ⑧ 0 - ⑨ NH

- ① Series No.
- ② No. of Circuits: 02 to 05
- ③ Circuits pitch: A = 4.0mm; B = 8.0mm; C = 12.0mm; D = 16.0mm; E = 13.0mm
- ④ P = Header
- ⑤ Plating: 1 = Matte Tin over Nickel
- ⑥ Contact Type: M = SMT Type
- ⑦ Type: L = With locking ramp type
B = With inner lock type
- ⑧ Other Options:
0 = Standard
- ⑨ -LF = For Lead Free soldering process
-NH = For Lead Free soldering process and Halogen-Free

CP

POWER CONNECTOR