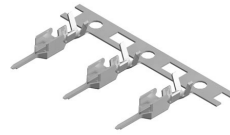
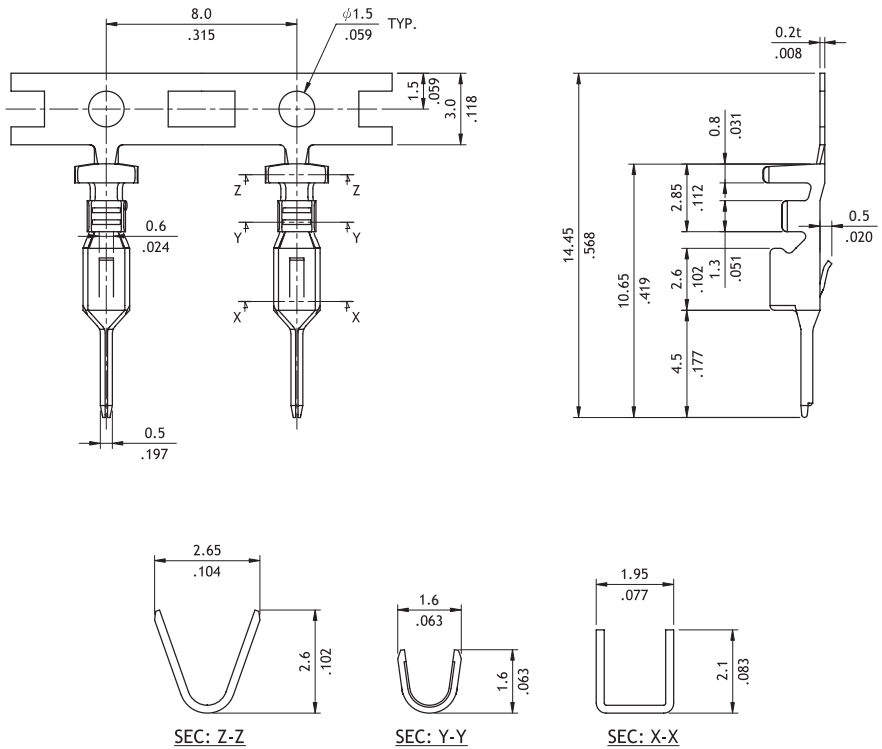
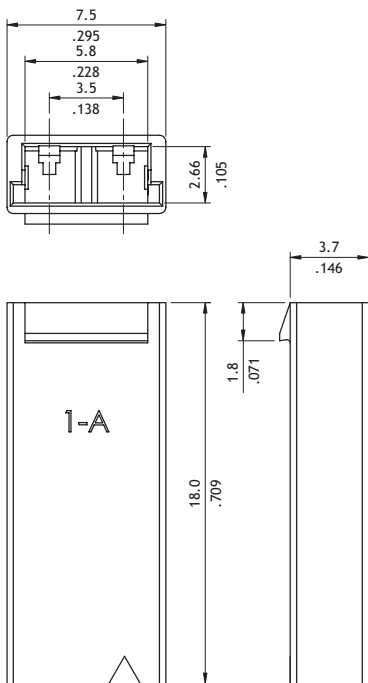


CP05 Series 3.50mm (.138") High Voltage Plug Connectors

- ⊙ Current Rating: 1.0A AC/DC (AWG #24)
- ⊙ Voltage Rating: 1400V AC/DC
- ⊙ Low profile with high withstanding voltage
- ⊙ Mate with CP05 female housing
- ⊙ Can be used CP05 Crimp Clip Terminal
- ⊙ Terminal accommodated AWG #24 ~ #28
- ⊙ Insulator: Nylon 66 UL 94V-0, Color Nature



CP



P/N	Wire Range	Insulation Diameter	Reel Qty
CP05T021PEP	AWG #24-#28	1.20-1.45 (.047-.059) Max.	9,000 PCS.

Ordering Code

1 CP05 **2** 02 **3** P **4** L **5** 000

- 1** Series No.
- 2** No. of Circuits: 02
- 3** P = Plug Housing
- 4** Type: L = With Latch
- 5** Other Options: 000 = Color Nature

1 CP05 **2** T02 **3** 1 **4** P **5** E **6** P

- 1** Series No.
- 2** Wire Range: T02 = AWG #24 ~ #28
- 3** Plating: 1 = Tin over Nickel
- 4** Material: P = Phosphor Bronze
- 5** Plating method: E = Pre-tinned
- 6** P = Plug Terminal