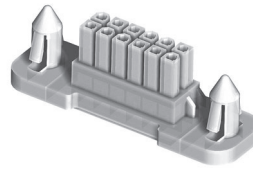


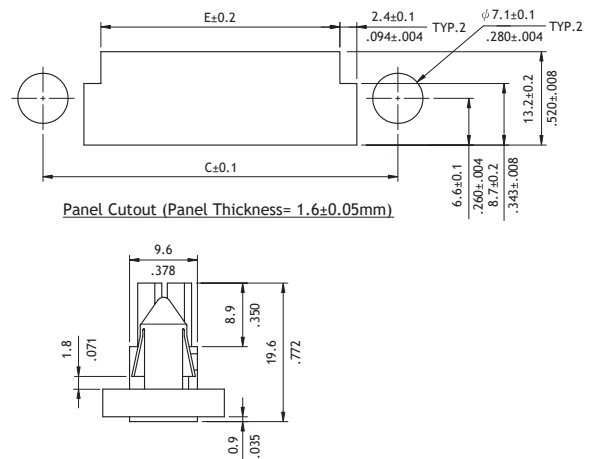
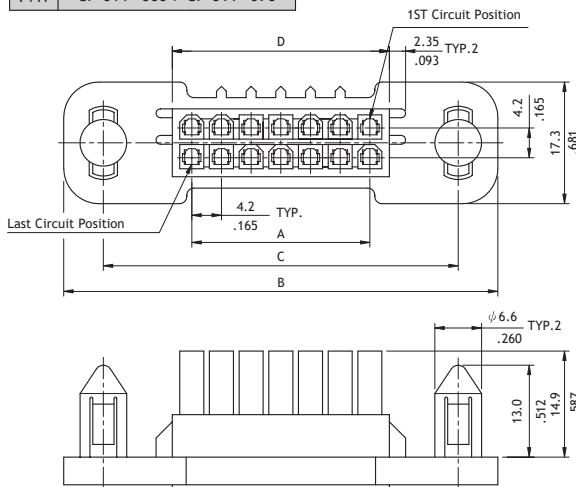
CP-011 Series 4.20mm (.165") Blind Mating Panel Mount Receptacle

- ⊙ Mates with CP-012, CP-013 or CP-014 connector
- ⊙ Nylon 66 UL 94V-0 or V-2 insulator material
- ⊙ Can be used CP-011 crimp terminal
- ⊙ Terminal accommodated AWG #16 ~ #26



RoHS Compliant

P/N CP-011**060 / CP-011**070

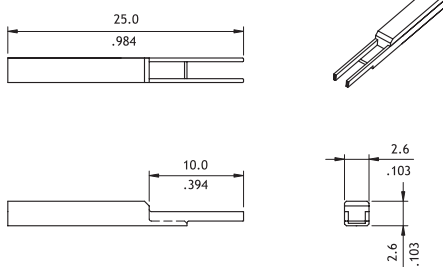


Circuits	Dimension				
	A	B	C	D	E
4	4.2(.165)	40.4(1.591)	29.2(1.150)	9.7(.382)	12.8(.504)
6	8.4(.331)	44.6(1.756)	33.4(1.315)	13.9(.547)	17.0(.669)
10	16.8(.661)	53.0(2.087)	41.8(1.646)	22.3(.878)	25.4(1.000)
14	25.2(.992)	61.4(2.417)	50.2(1.976)	30.7(1.209)	33.8(1.331)
18	33.6(1.323)	69.8(2.748)	58.6(2.307)	39.1(1.539)	42.2(1.661)
24	46.2(1.819)	82.4(3.244)	71.2(2.803)	51.7(2.035)	54.8(2.157)

CP-01 Series Etractor Hand Tool

- ⊙ Can be used CP-011 & CP-012 series crimp terminal

P/N CP-RWT-0201



P/N CP-RWT-0200

