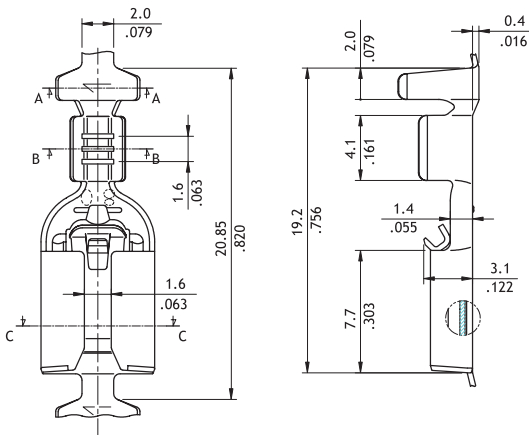
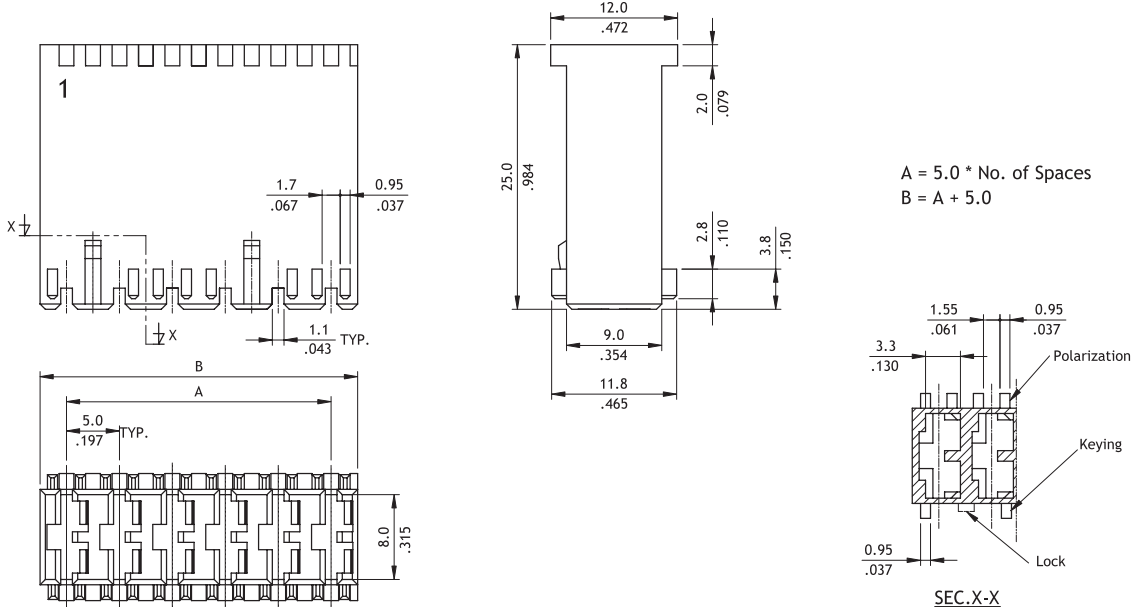
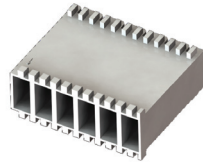


CP50 Series 5.00mm (.197") Wire to Board Connectors

- ⊙ Mate with CP50 Header
- ⊙ Can be used CP50 Crimp Clip Terminal
- ⊙ Insulator: Nylon 66 UL 94V-0, Color Nature

RoHS Compliant



Part No.	Wire Range	Insulation Diameter	Reel Qty
CP50T031*P0	AWG #20-#22	2.55 (.100) MAX.	1,000 PCS.
CP50T041*P0	AWG #14-#18	3.45 (.136) MAX.	1,000 PCS.

Ordering Code

1 CP50 **2** 12 **3** S **4** 00 **5** 0 **6** 0A

- 1** Series No.
- 2** No. of Circuits: 02 to 12
- 3** S = Receptacle
- 4** 0 = With Lock; N = Without Lock
- 5** Color: 0 = Nature
- 6** Options: 0A = Consult manufacturer for Polarization, keying and locking options.

1 CP50 **2** T04 **3** 1 **4** B **5** P **6** 0

- 1** Series No.
- 2** Wire Range: T03 = AWG #20 ~ #22
T04 = AWG #14 ~ #18
- 3** Plating: 1 = Tin over Nickel
- 4** Material: P = Phosphor Bronze; B= Brass
- 5** Plating method: P = Post Plating
- 6** Options: 0 = Standard

CP

POWER CONNECTOR