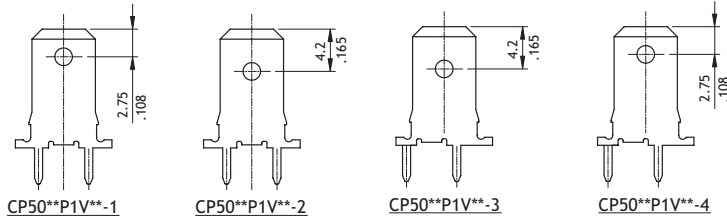
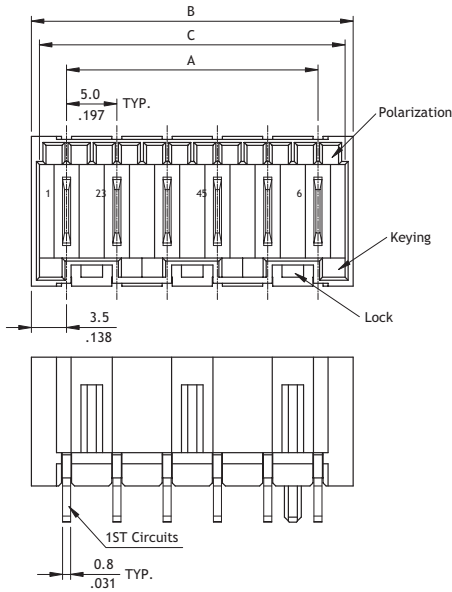
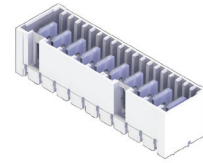
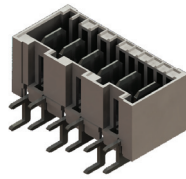
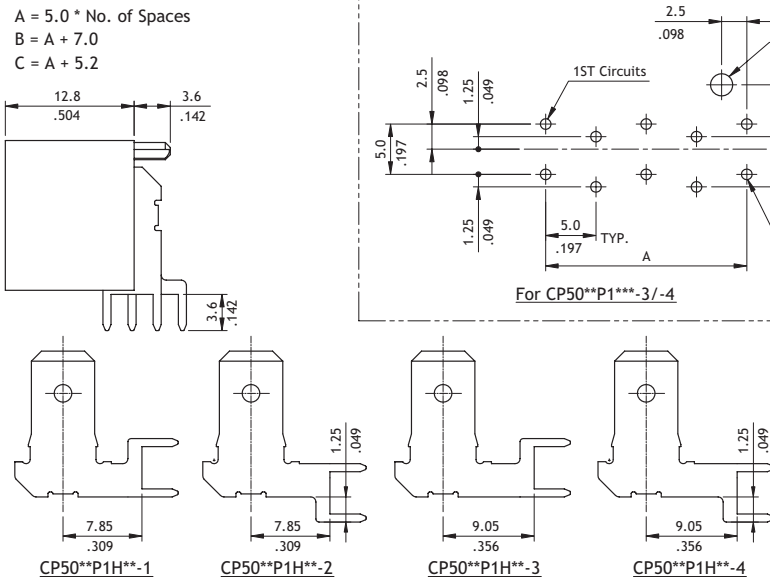
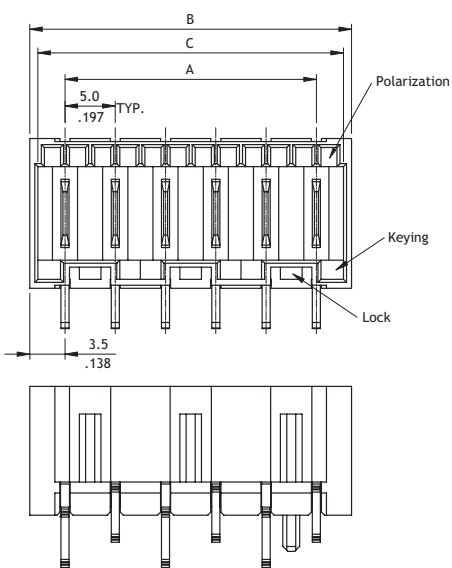
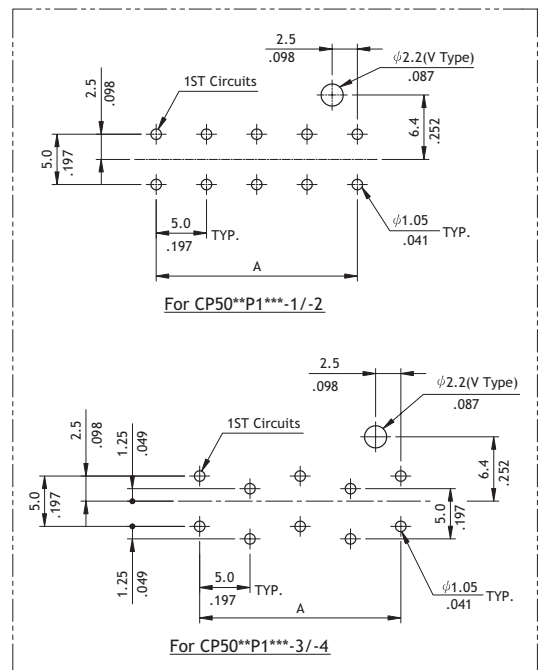
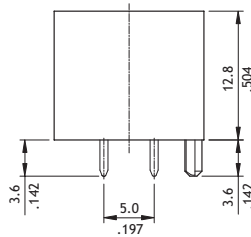


CP50 Series 5.00mm (.197") Wire to Board Connectors

☉ Mate with CP50 Housing



$A = 5.0 \text{ * No. of Spaces}$
 $B = A + 7.0$
 $C = A + 5.2$



Ordering Code

1 CP50 **2** 06 **3** P **4** 1 **5** V **6** 0A - **7** 1

- 1** Series No.
- 2** No. of Circuits: 02 to 12
- 3** P = Plug
- 4** Plating:
1 = Tin over Nickel
- 5** Contact Type: V = Straight Type
H = Right Angle Type
- 6** Options:
0A: Consult manufacturer for Polarization, keying and locking options
- 7** Terminal Type: 1, 2, 3, 4