
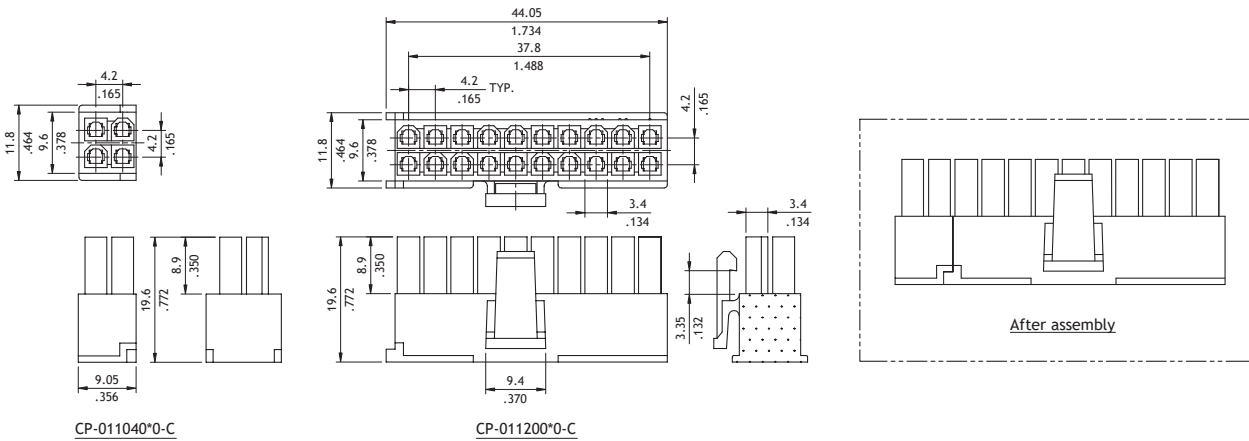
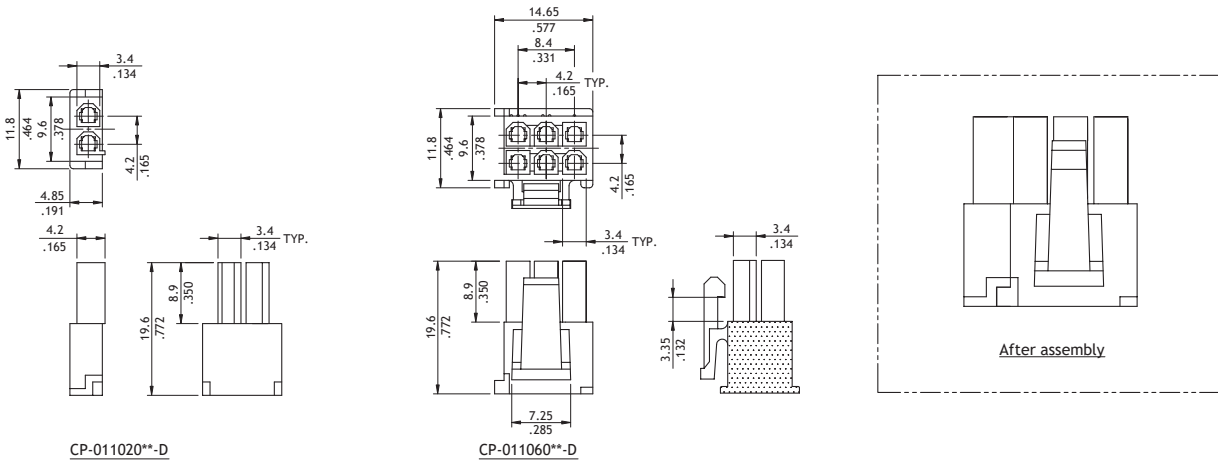


CP-011 Series 4.20mm (.165") Assembly Power Connectors

- ⊙ With locking latch
- ⊙ Mates with CP-012, CP-013 or CP-014 connector
- ⊙ Nylon 66 UL 94V-0 or V-2 insulator material
- ⊙ Can be used CP-011 crimp terminal
- ⊙ Terminal accommodated AWG #16 ~ #26



RoHS Compliant  



Ordering Code

① ② ③ ④ ⑤ ⑥ ⑦
CP - 01 1 20 0 1 0 - C

- ① Series No.
- ② Connector Type: 1 = Receptacle
- ③ No. of Circuits:
02, 04, 06, 20
- ④ Plating: 0 = Non plating
- ⑤ Variation: 1 = UL 94V-2
3 = UL 94V-0

- ⑥ Color Options:
0 = Nature (Standard)
*Special options consult manufacturer
- ⑦ Other Options:
C = Assembly Type
D = PCI-E Assembly Type