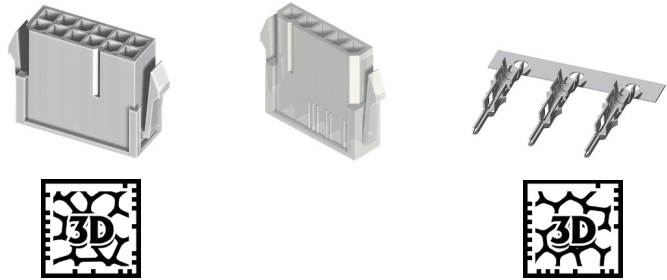


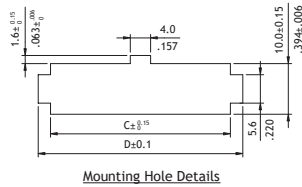
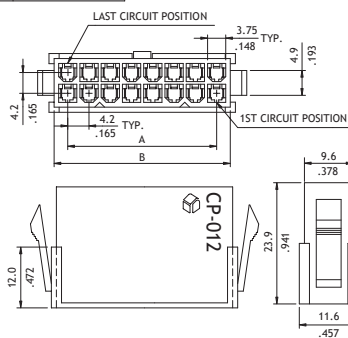
CP-012 Series 4.20mm (.165") Plug Connectors

- ⊙ With mounting ears
- ⊙ Available in 2 through 24 circuits
- ⊙ Mates with CP-011 connector
- ⊙ Nylon 66 UL 94V-0 or V-2 insulator material
- ⊙ Can be used CP-012 crimp terminal
- ⊙ Terminal accommodated AWG #16 ~ #26
- ⊙ Glow Wire test material available



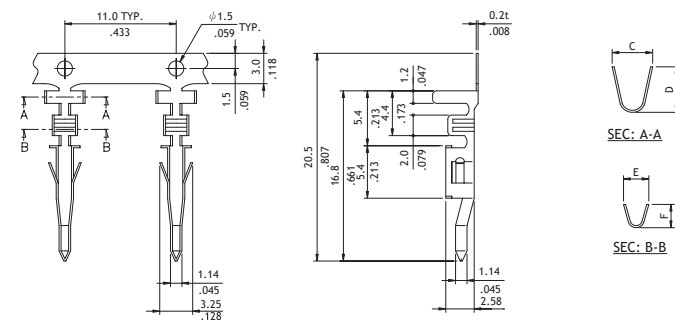
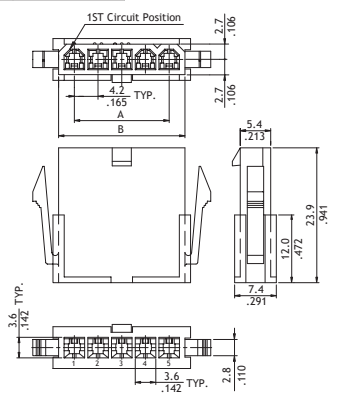
RoHS Compliant

P/N CP-012**0*0



Circuits	Dimension			
	A	B	C	D
2	-	5.7 (.224)	6.1 (.240)	11.1 (.437)
4	4.2 (.165)	9.9 (.390)	10.3 (.406)	15.3 (.602)
6	8.4 (.331)	14.1 (.555)	14.5 (.571)	19.5 (.768)
8	12.6 (.496)	18.3 (.720)	18.7 (.736)	23.7 (.933)
10	16.8 (.661)	22.5 (.886)	22.9 (.902)	27.9 (1.098)
12	21.0 (.827)	26.7 (1.051)	27.1 (1.067)	32.1 (1.264)
14	25.2 (.992)	30.9 (1.217)	31.4 (1.236)	36.3 (1.429)
16	29.4 (1.157)	35.1 (1.382)	35.6 (1.402)	40.5 (1.594)
18	33.6 (1.322)	39.3 (1.547)	39.8 (1.567)	44.7 (1.760)
20	37.8 (1.487)	43.5 (1.713)	44.0 (1.732)	48.9 (1.925)
22	42.0 (1.652)	47.7 (1.878)	48.2 (1.898)	53.1 (2.091)
24	46.2 (1.817)	51.9 (2.043)	52.4 (2.063)	57.3 (2.256)

P/N CP-012**0*S



Circuits	Dimension	
	A	B
3	8.4 (.331)	13.9 (.547)
4	12.6 (.496)	18.1 (.713)
5	16.8 (.661)	22.3 (.878)

Part No.	Wire Range	Dimension				Insulation Range	Material	Reel Qty
		C	D	E	F			
CP-01200*01	AWG #22-26	3.4 (.134)	3.3 (.130)	2.5 (.098)	2.3 (.091)	0.9-1.8 (.035-.071)	Brass	5,000 PCS
CP-01200*02	AWG #18-22	4.0 (.158)	4.5 (.177)	2.5 (.098)	2.3 (.091)	1.3-3.1 (.051-.122)	Brass	4,000 PCS
CP-01200*03	AWG #22-26	3.4 (.134)	3.3 (.130)	2.5 (.098)	2.3 (.091)	0.9-1.8 (.035-.071)	Phosphor Bronze	5,000 PCS
CP-01200*04	AWG #18-22	4.0 (.158)	4.5 (.177)	2.5 (.098)	2.3 (.091)	1.3-3.1 (.051-.122)	Phosphor Bronze	4,000 PCS
CP-01200*05	AWG #16	4.0 (.158)	4.5 (.177)	2.8 (.110)	2.6 (.102)	1.8-3.1 (.071-.122)	Brass	4,000 PCS
CP-01200*06	AWG #16	4.0 (.158)	4.5 (.177)	2.8 (.110)	2.6 (.102)	1.8-3.1 (.071-.122)	Phosphor Bronze	4,000 PCS
CP-01200*04-HC	AWG #18-22	4.0 (.158)	4.5 (.177)	2.5 (.098)	2.3 (.091)	1.3-3.1 (.051-.122)	High electric conductive copper alloy	4,000 PCS
CP-01200*06-HC	AWG #16	4.0 (.158)	4.5 (.177)	2.8 (.110)	2.6 (.102)	1.8-3.1 (.071-.122)	High electric conductive copper alloy	4,000 PCS
CP-01200*07-HC	AWG #28	2.3 (.091)	2.3 (.091)	1.8 (.071)	1.65 (.065)	0.9 (.035)	High electric conductive copper alloy	6,000 PCS

Ordering Code



- ① Series No.
- ② Connector Type:
2 = Plug
- ③ No. of Circuits:
02 to 24 (Dual Row)
03 to 05 (Single Row)
- ④ Plating: 0 = Non plating
- ⑤ Variation:
0 = UL 94V-2 (with mounting ears)
1 = UL 94V-2 (without mounting ear)
2 = UL 94V-0 (with mounting ears)
3 = UL 94V-0 (without mounting ear)
E = GWT approval (without mounting ear)
F = GWT approval (with mounting ears)
- ⑥ Other Options:
0 = Standard (Dual Row)
S = Single Row
*Special options consult manufacturer