

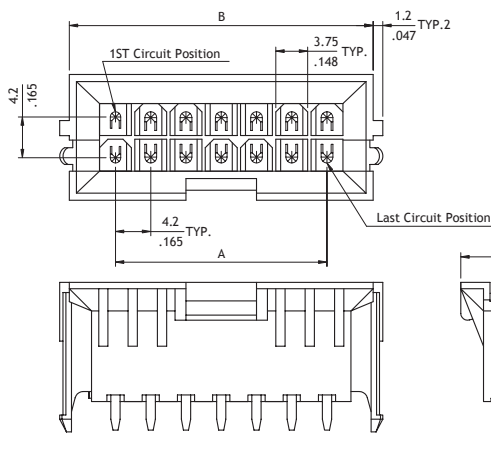
**CP-013 Series 4.20mm (.165") Straight DIP Solder Headers**

- Ⓞ Optional PCB mounting pegs
- Ⓞ Mates with CP-011 Connector
- Ⓞ Nylon 66 UL 94V-0 or V-2 insulator material
- Ⓞ Glow Wire test material available

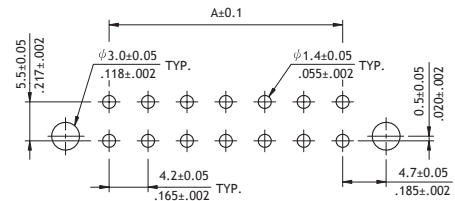
RoHS Compliant



P/N CP-013\*\*160 / CP-013\*\*170 / CP-013\*\*1H0

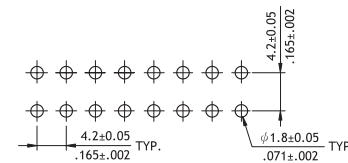
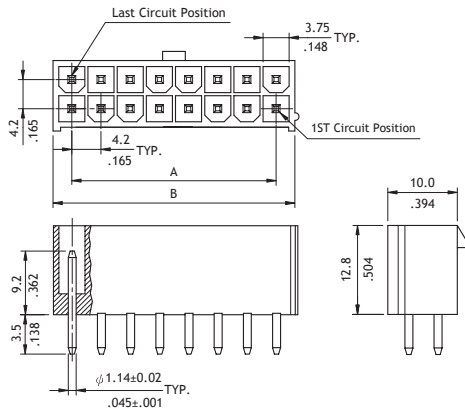


Circuits	Dimension	
	A	B
4	4.2(.165)	15.1(.594)
6	8.4(.331)	19.3(.760)
8	12.6(.496)	23.5(.925)
10	16.8(.661)	27.7(1.091)
14	25.2(.992)	36.1(1.421)
16	29.4(1.157)	40.3(1.587)
18	33.6(1.323)	44.5(1.752)
24	46.2(1.819)	57.1(2.248)



Recommended PCB Layout

P/N CP-013\*\*180 / CP-013\*\*190 / CP-013\*\*1J0



Recommended P.C. Board Layout

Circuits	Dimension	
	A	B
2	-	6.0(.236)
4	4.2(.165)	10.2(.402)
6	8.4(.331)	14.4(.567)
8	12.6(.496)	18.6(.732)
10	16.8(.661)	22.8(.898)
12	21.0(.827)	27.0(1.063)
14	25.2(.992)	31.2(1.228)
16	29.4(1.157)	35.4(1.394)
18	33.6(1.322)	39.6(1.559)
20	37.8(1.487)	43.8(1.724)
22	42.0(1.652)	48.0(1.890)
24	46.2(1.817)	52.2(2.055)

**Ordering Code**

① ② ③ ④ ⑤ ⑥  
**CP - 01 3 24 1 6 0**

- ① Series No.
- ② Connector Type:  
3 = Straight PCB mount header
- ③ No. of Circuits:  
see above table
- ④ Plating: 1 = Tin over Nickel

- ⑤ Variation:  
6 = UL 94V-2 (B.M.I Type)  
7 = UL 94V-0 (B.M.I Type)  
8 = UL 94V-2 (with square pin)  
9 = UL 94V-0 (with square pin)  
J = GWT approval (with square pin)  
H = GWT approval (B.M.I Type)

- ⑥ Other Options:  
0 = Standard  
\*Special options consult manufacturer