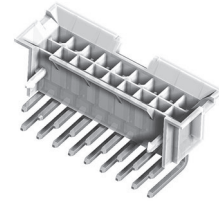
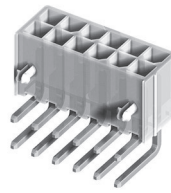


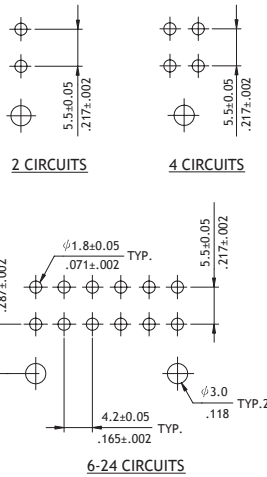
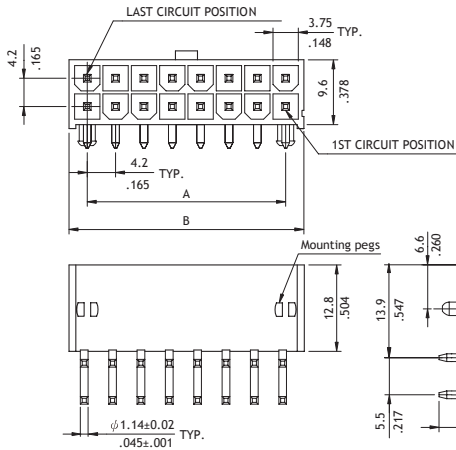
CP-014 Series 4.20mm (.165") Right Angle DIP Solder Headers

- Ⓞ Optional with mounting ears or pegs
- Ⓞ Mates with CP-011 connector
- Ⓞ Nylon 66 UL 94V-0 or V-2 insulator material
- Ⓞ Glow wire test approval material available

RoHS Compliant  



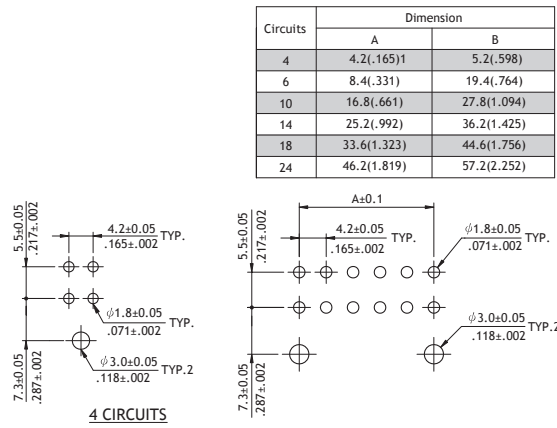
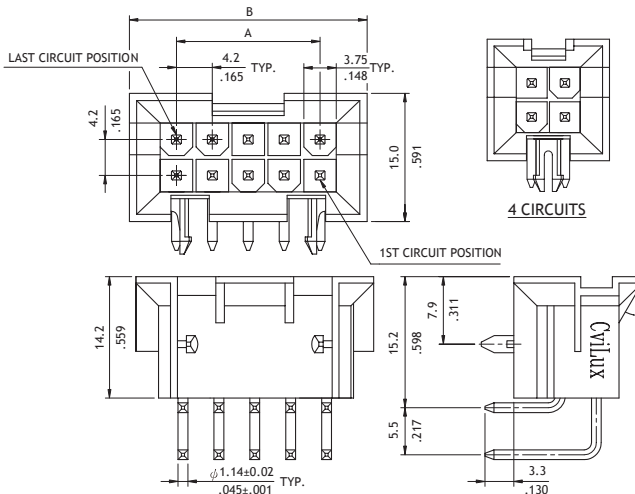
P/N CP-014**140 / CP-014**150 / CP-014**1G0



Circuits	Dimension	
	A	B
2	-	6.0(.236)
4	4.2(.165)	10.2(.402)
6	8.4(.331)	14.4(.567)
8	12.6(.496)	18.6(.732)
10	16.8(.661)	22.8(.898)
12	21.0(.827)	27.0(1.063)
14	25.2(.992)	31.2(1.228)
16	29.4(1.157)	35.4(1.394)
18	33.6(1.322)	39.6(1.559)
20	37.8(1.487)	43.8(1.724)
22	42.0(1.652)	48.0(1.890)
24	46.2(1.817)	52.2(2.055)

Recommended PCB Layout

P/N CP-014**160 / CP-014**170 / CP-014**1H0



Recommended PCB Layout

Ordering Code

① CP - 01 ② 4 ③ 2 ④ 4 ⑤ 1 ⑥ 4 ⑦ 0

- ① Series No.
- ② Connector Type:
4 = Right Angle Header
- ③ No. of Circuits:
see above table
- ④ Plating: 1 = Tin over Nickel

- ⑤ Variation:
4 = UL 94V-2 (with mounting pegs)
5 = UL 94V-0 (with mounting pegs)
6 = UL 94V-2 (B.M.I Type)
7 = UL 94V-0 (B.M.I Type)
G = GWT Type (with mounting pegs)
H = GWT Type (B.M.I Type)

- ⑥ Other Options:
0 = Standard
*Special options consult manufacturer