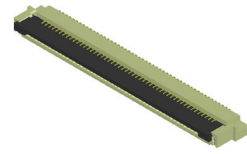


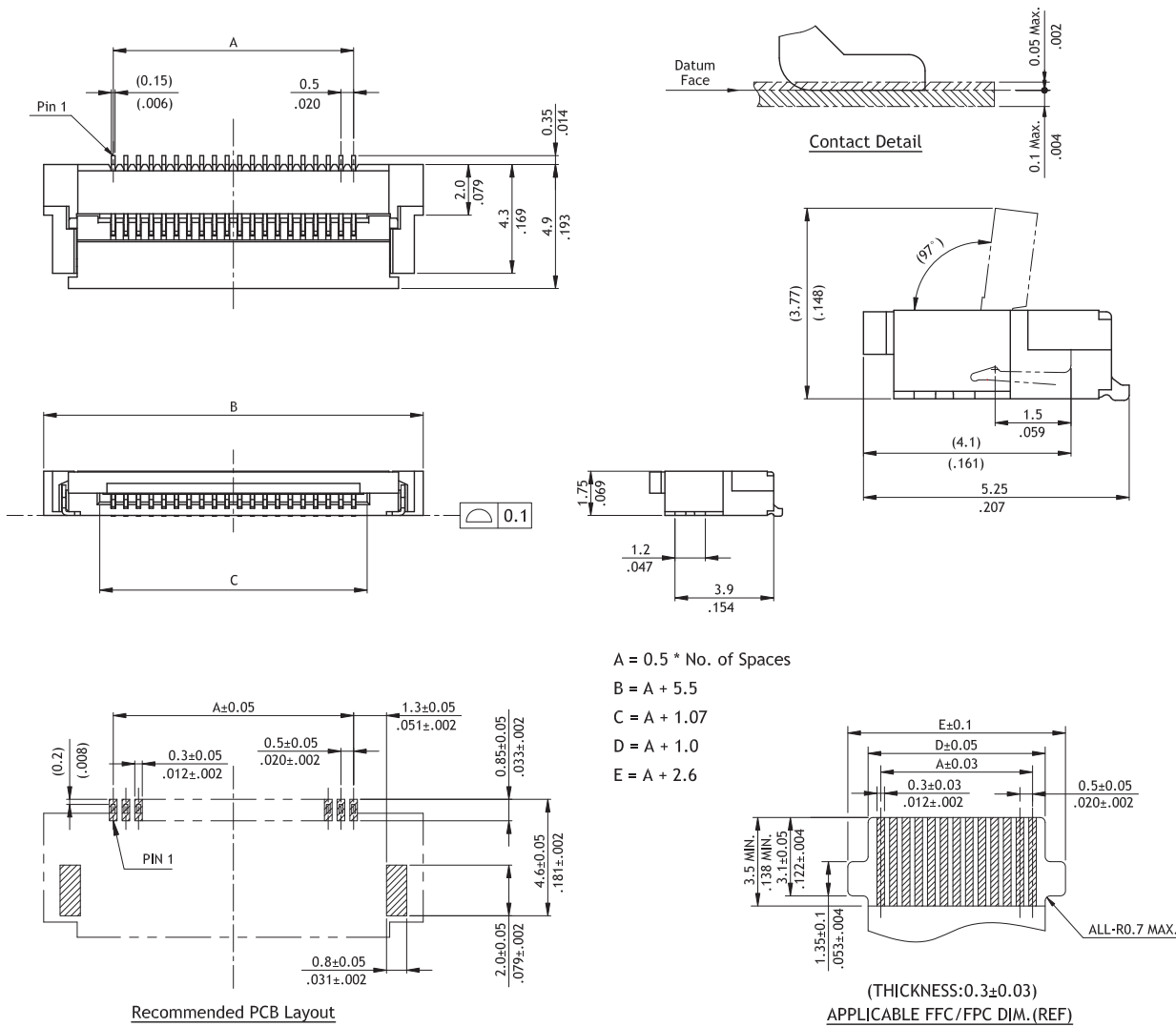
CF61 Series 0.50mm(.020")H=1.75 SMT ZIF One-Touch FFC/FPC Connectors

CF

- ⊙ 1.75mm above the board
- ⊙ FFC/FPC zero insertion force and high retention force
- ⊙ Insulation: High temperature plastic UL 94V-0, Color Nature
- ⊙ Cover: High temperature plastic UL 94V-0, Color Black
- ⊙ Actuator designed easy for FFC/FPC installation and reliable operation
- ⊙ With metal fixed tabs to secure connector in place



RoHS Compliant



Ordering Code		①	②	③	④	⑤	⑥	⑦	⑧	⑨
		CF	61	14	1	D	0	R	0	- 05 - NH
① Series No.	④ Contact Style:	⑦ Other Options:		D = Downside Contact		0 = Standard		*Special option consult manufacturer		
② No. of Circuits: 04 to 60 (Available: 6,10,12,14) *Circuits not found above please consult manufacturer*	⑤ Color: 0 = Nature	⑧ Pitch: 05 = 0.50 mm		⑥ Packing:		R = Tape & Reel		⑨ Process: -NH = For Lead Free IR process and Halogen-Free		
③ Plating Code: 1 = Matte Tin over Nickel 2 = Gold flash over Nickel										

FFC & FPC CONNECTOR