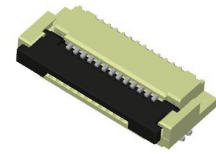
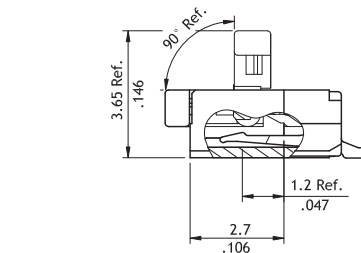
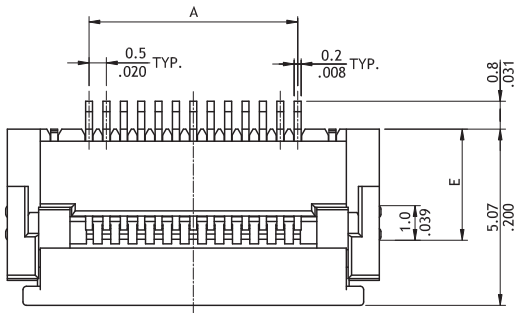


**CF31 Series 0.50mm(.020")H=1.95 SMT ZIF One-Touch FFC/FPC Connectors**

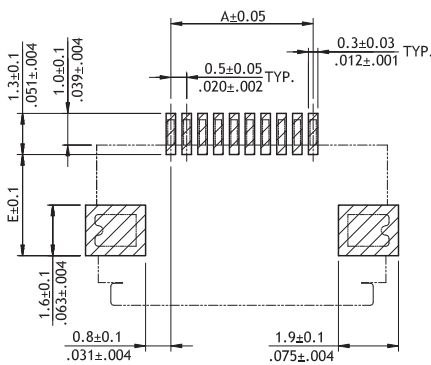
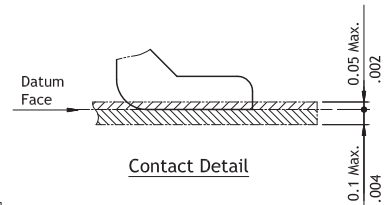
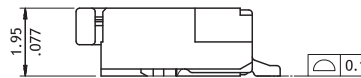
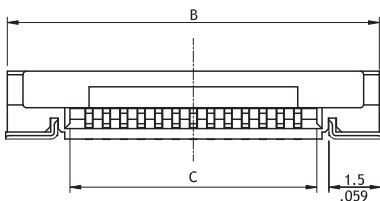
- Ⓞ 1.95mm above the board
- Ⓞ FFC/FPC zero insertion force and high retention force
- Ⓞ Insulation: High temperature plastic UL 94V-0, Color Nature
- Ⓞ Cover: High temperature plastic UL 94V-0, Color Black
- Ⓞ Actuator designed easy for FFC/FPC installation and reliable operation
- Ⓞ With metal fixed tabs to secure connector in place



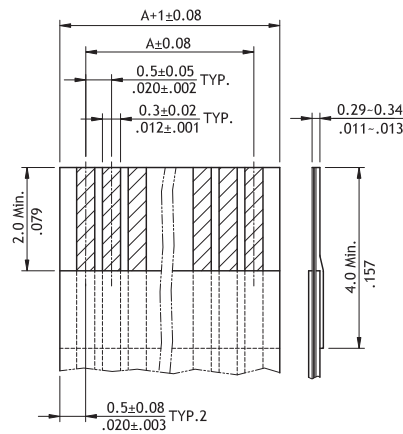
RoHS Compliant



A = 0.5 x No. of Spaces  
 B = A + 4.7  
 C = A + 1.1



Recommended PCB Layout



Accommodated FFC/FPC

**Ordering Code**

①	②	③	④	⑤	⑥	⑦	⑧	⑨
CF	31	61	1	D	0	R	05	NH

- ① Series No.
- ② No. of Circuits: 04 to 61  
\*Circuits not found above please consult manufacturer\*
- ③ Plating Code:  
1 = Matte Tin over Nickel  
2 = Gold flash over Nickel
- ④ Contact Style:  
D = Downside Contact
- ⑤ Color: 0 = Nature
- ⑥ Packing:  
R = Tape & Reel
- ⑦ Other Options:  
0 = Without Mylar, E=3.20mm  
2 = Without Mylar, E=2.85mm
- ⑧ Pitch: 05 = 0.50 mm
- ⑨ Process: -NH = For Lead Free IR process and Halogen-Free