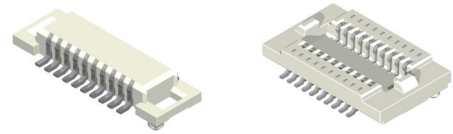


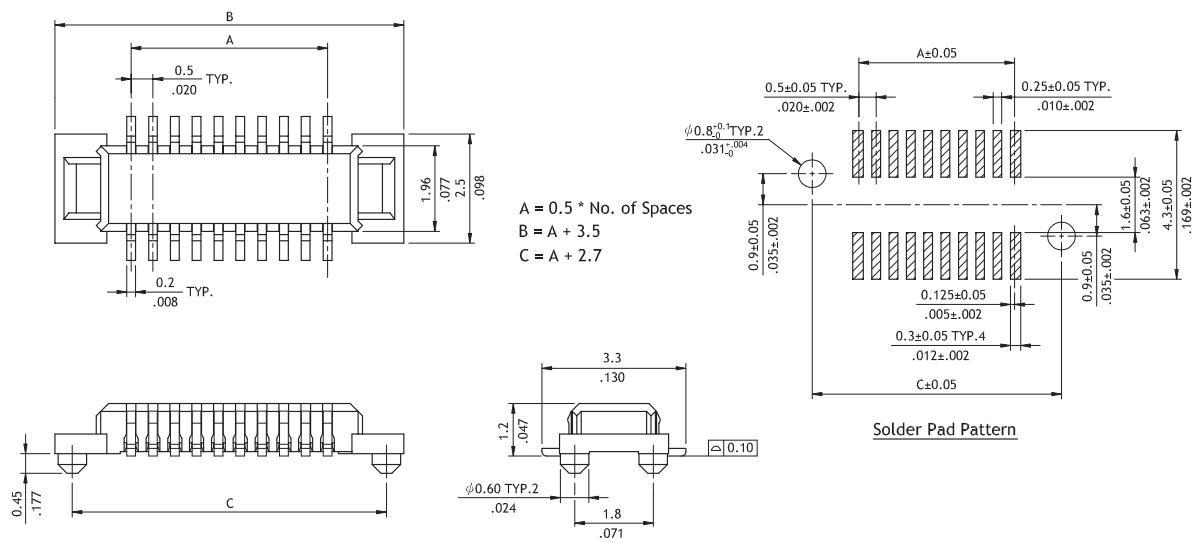
CBRC Series 0.50mm(.020") Board To Board Connectors

- ⊙ Mating Height 1.5mm & 2.0mm
- ⊙ Insulator: High temperature plastic UL 94V-0, Color Nature

RoHS Compliant  



P/N CBRC***P02001R0-NH



P/N CBRC***S*2001R0-NH

