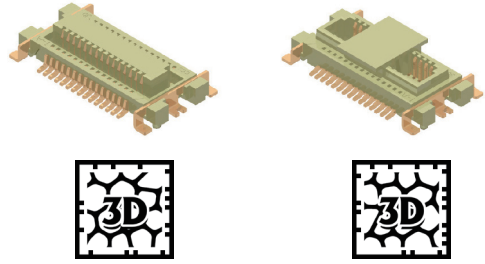


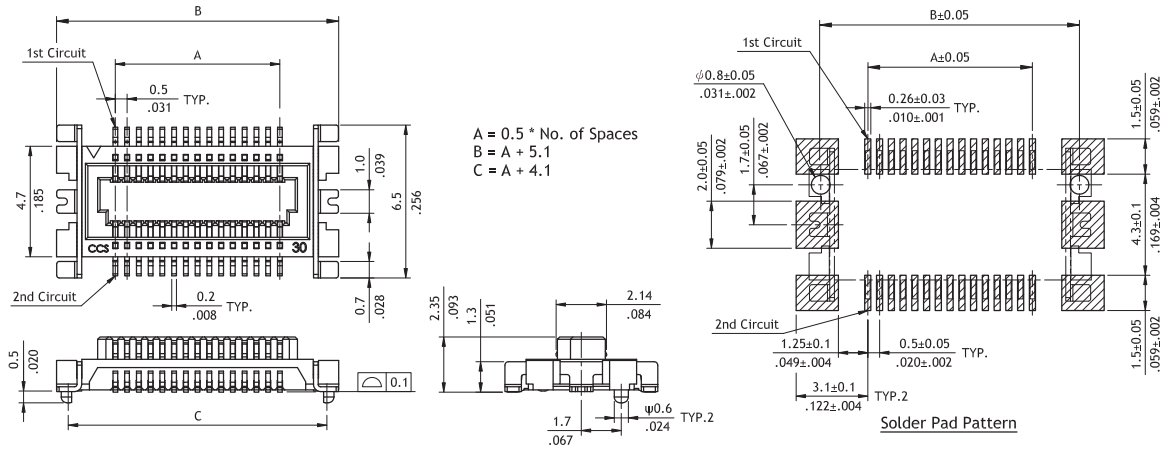
CBRE Series 0.50mm(.020") Board To Board Connectors

- ⊙ Mating Height 3.0mm & 3.5mm
- ⊙ Insulator: High temperature plastic UL 94V-0, Color Nature
- ⊙ With metal fixed tabs to secure connector in place

RoHS Compliant



P/N CBRE***PA2FP1R0-NH



P/N CBRE***S*2FP1R0-NH

