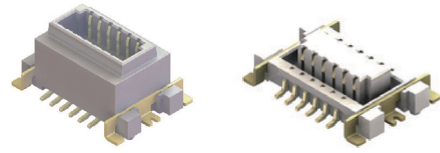


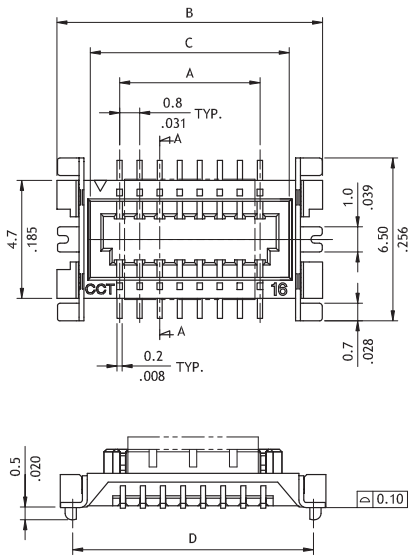
CBRD Series 0.80mm(.032") Board To Board Connectors

- ⊙ Mating Height 4.0, 5.0 & 8.0mm
- ⊙ Insulator: High temperature plastic UL 94V-0, Color Nature

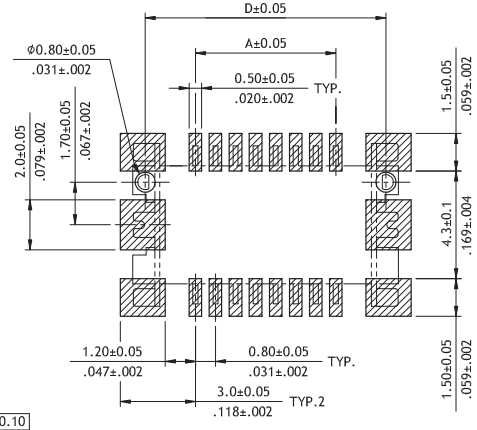
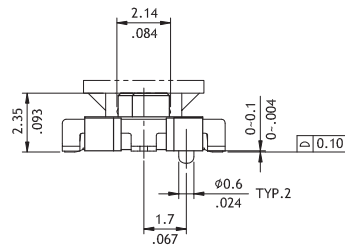
RoHS Compliant



P/N CBRD***PA2***R0-NH

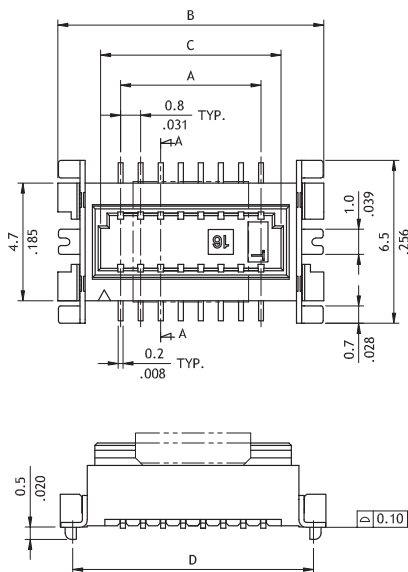


A = 0.8 * No. of Spaces
 B = A + 5.0
 C = A + 2.34
 D = A + 4.0



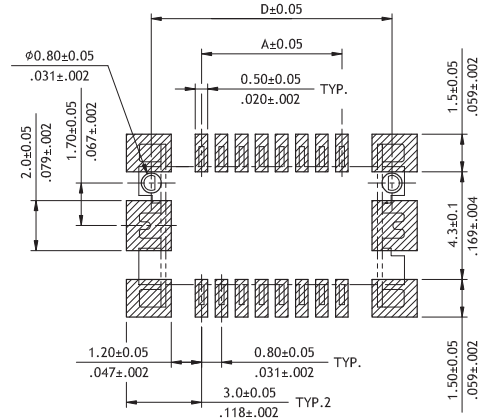
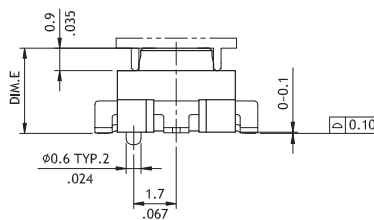
Recommended PCB Layout

P/N CBRD***S*2***R0-NH



A = 0.8 * No. of Spaces
 B = A + 5.0
 C = A + 1.6
 D = A + 4.0

Mating Height	DIM.E
4.0 mm	3.4
5.0 mm	4.4
8.0 mm	7.4



Recommended PCB Layout