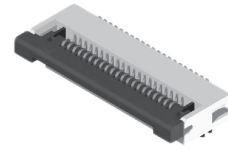
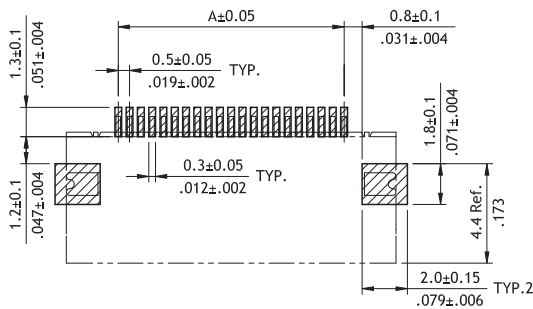
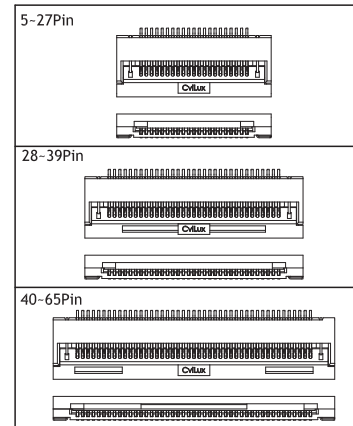
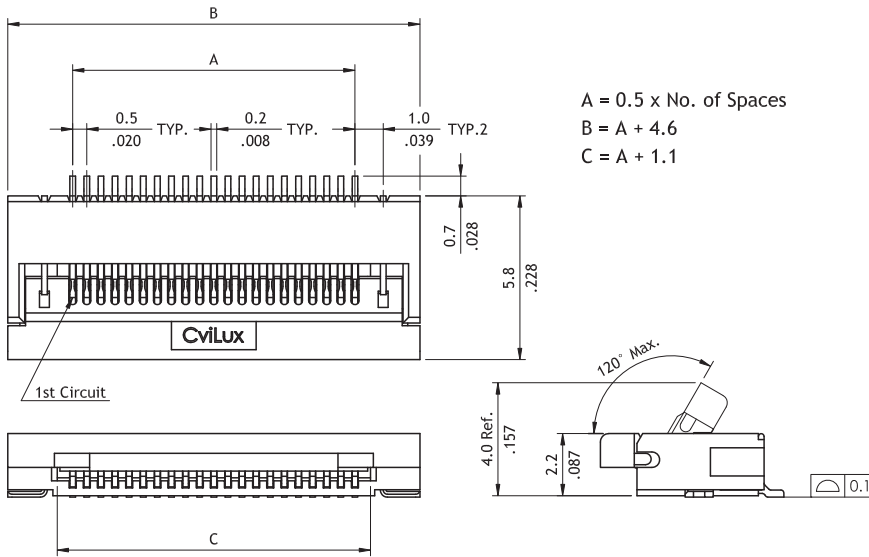


**CF25 Series 0.50mm(.020")H=2.20 SMT ZIF One-Touch FFC/FPC Connectors**

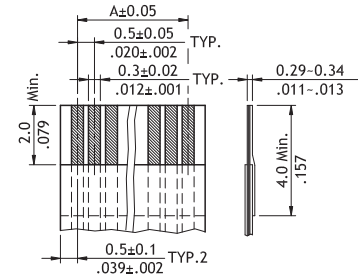
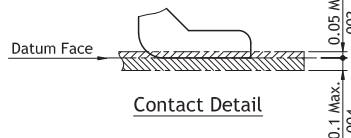
- ⊙ 2.2mm above the board
- ⊙ FFC/FPC zero insertion force and high retention force
- ⊙ Insulator: High temperature plastic UL 94V-0, Color Nature
- ⊙ Cover: High temperature plastic UL 94V-0, Color Black
- ⊙ Designed easy for FFC/FPC installation and reliable operation
- ⊙ With metal fixed tabs to secure connector in place



RoHS Compliant



Recommended PCB Layout



Accommodated FFC/FPC

Ordering Code	①	②	③	④	⑤	⑥	⑦	⑧	⑨			
	CF	25	65	1	D	0	R	0	-	05	-	NH
① Series No.												
② No. of Circuits: 05 to 65 *Circuits not found above please consult manufacturer*												
③ Plating Code: 1 = Matte Tin over Nickel F = Selective Gold flash over Nickel												
④ Contact Style: D = Downside Contact												
⑤ Color: 0 = Nature												
⑥ Packing: R = Tape & Reel T = Tube												
⑦ Other Options: 0 = Standard *Special option consult manufacturer												
⑧ Pitch: 05 = 0.50 mm												
⑨ Process: -NH = For Lead Free IR process and Halogen-Free												