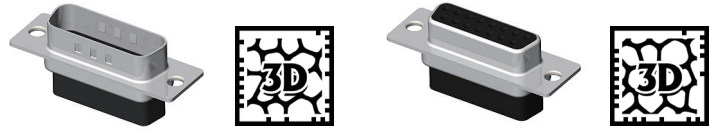


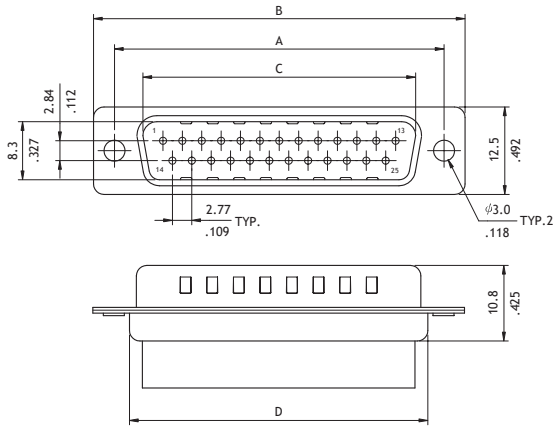
**CD52 Series Crimp Clip D-Sub**

- ⊙ Mate with standard D-Sub
- ⊙ Riveted Hex nuts options available



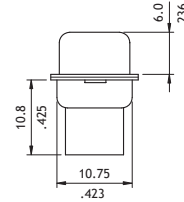
RoHS Compliant

P/N CD52\*\*P01\*\*

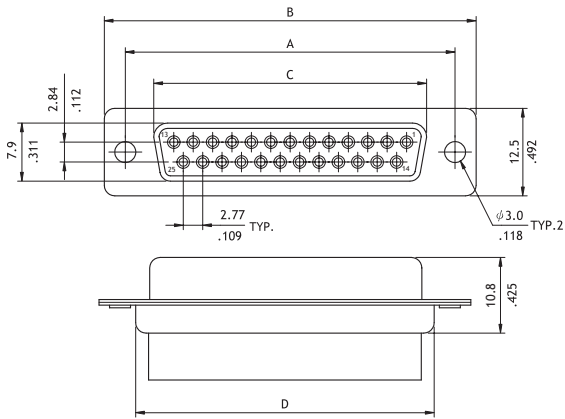


Plug Connector

Circuits	Dimension			
	A	B	C	D
9	25.0(.984)	30.8(1.213)	16.92(.666)	19.2(.756)
15	33.32(1.312)	39.2(1.543)	25.25(.994)	27.7(1.091)
25	47.04(1.852)	53.1(2.091)	38.96(1.534)	41.1(1.618)
37	63.5(2.500)	69.4(2.732)	55.42(2.182)	57.3(2.256)

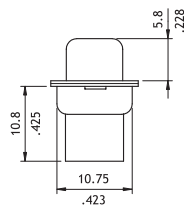


P/N CD52\*\*S01\*\*



Receptacle Connector

Circuits	Dimension			
	A	B	C	D
9	25.0(.984)	30.8(1.213)	16.3(.642)	19.2(.756)
15	33.32(1.312)	39.2(1.543)	24.6(.969)	27.7(1.091)
25	47.04(1.852)	53.1(2.091)	38.3(1.508)	41.1(1.618)
37	63.5(2.500)	69.4(2.732)	54.8(2.157)	57.3(2.256)



**Ordering Code**

① CD ② 52 ③ P0 ④ 1 ⑤ 00

- ① Series No.
- ② No. of Circuits: 09, 15, 25, 37
- ③ Connector Type: P0 = Plug  
S0 = Receptacle
- ④ Insulator Color: 1 = Black  
\*Optional insulator color consult manufacturer
- ⑤ Other Options:  
00 = With  $\phi$  3.05mm holes on shell (Standard)  
A0 = Riveted #4-40 UNC Close nuts on Front shell  
B0 = Riveted #4-40 UNC Open nuts on Front shell  
C0 = Riveted #4-40 UNC Open nuts on Rear shell  
\*Special options consult manufacturer