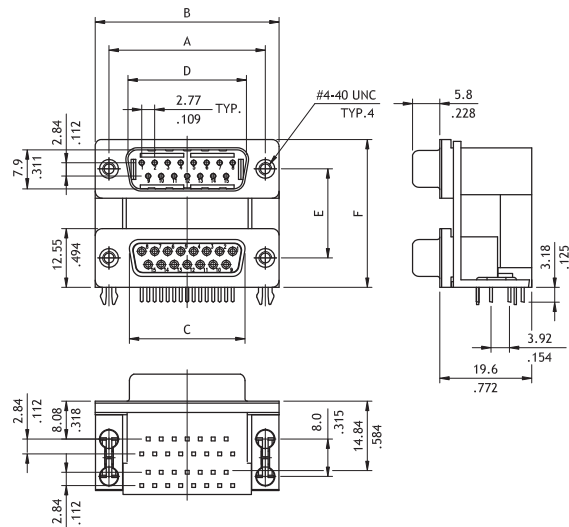
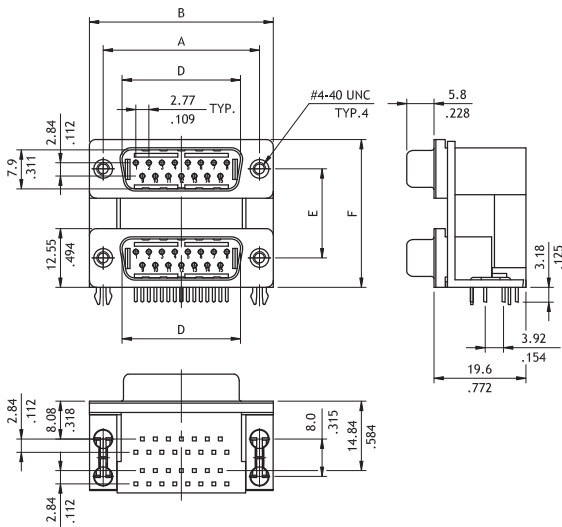


**CD81 Series Stacked Right Angle DIP Solder D-Sub**

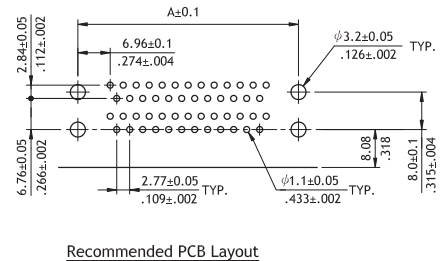
- ⊙ Mate with standard D-Sub
- ⊙ With metal shell and solder tails
- ⊙ Optional row spacing and position
- ⊙ In various pin configuration



RoHS Compliant



CVILUX P/N	Dimension					
	A	B	C	D	E	F
CD81V1SS*A*	24.99(.984)	30.81(1.213)	16.33(.643)	16.92(.666)	15.88(.625)	28.43(1.119)
CD81V2SS*A*	33.32(1.312)	39.19(1.543)	24.66(.971)	25.25(.994)		
CD81V3SS*A*	47.04(1.852)	53.04(2.088)	38.38(1.511)	38.96(1.534)		
CD81V7SS*A*	63.50(2.500)	69.32(2.729)	54.84(2.159)	55.42(2.182)		
CD81V1SS*B*	24.99(.984)	30.81(1.213)	16.33(.643)	16.92(.666)	19.05(.750)	31.60(1.244)
CD81V2SS*B*	33.32(1.312)	39.19(1.543)	24.66(.971)	25.25(.994)		
CD81V3SS*B*	47.04(1.852)	53.04(2.088)	38.38(1.511)	38.96(1.534)		
CD81V7SS*B*	63.50(2.500)	69.32(2.729)	54.84(2.159)	55.42(2.182)		
CD81V1SS*C*	24.99(.984)	30.81(1.213)	16.33(.643)	16.92(.666)	22.86(.900)	35.41(1.394)
CD81V2SS*C*	33.32(1.312)	39.19(1.543)	24.66(.971)	25.25(.994)		
CD81V3SS*C*	47.04(1.852)	53.04(2.088)	38.38(1.511)	38.96(1.534)		
CD81V7SS*C*	63.50(2.500)	69.32(2.729)	54.84(2.159)	55.42(2.182)		



**Ordering Code**

① CD ② 81 ③ V1 ④ PP ⑤ A A ⑥ C

- ① Series No.
- ② Contacts configuration:  
V1 = 9 to 9, V2 = 15 to 15  
V3 = 25 to 25, V4 = 9 to 25  
V5 = 25 to 9, V6 = 25 to 15  
V7 = 37 to 37
- ③ Connector Type: PP = Plug to plug  
PS = Plug to receptacle
- ④ Plating Options: A = Selective Gold flash over Nickel  
\*Optional plating available but MOQ requested
- ⑤ Row Spacing: A: DIM.E = 15.88mm, B: DIM.E = 19.05mm  
C: DIM.E = 22.86mm
- ⑥ Other Options:  
C = Riveted ground hooks with #4-40 UNC open (Standard)  
S = Riveted ground hooks pre-loaded #4-40 UNC Hex screws  
\*Special options consult manufacturer