

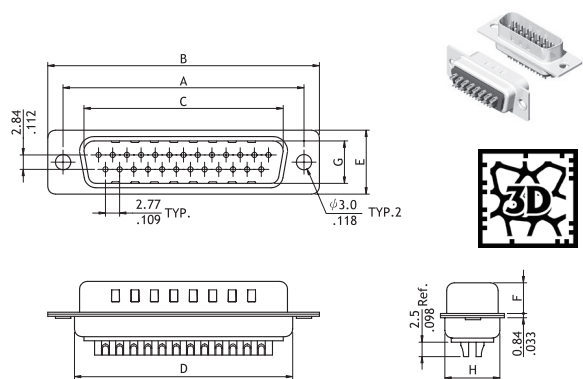
CD71 Series Machined Contact Solder Cup D-Sub

CD

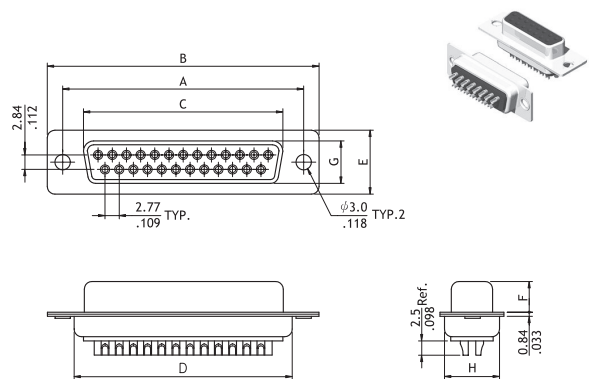
- Mate with standard D-Sub
- With metal shell and solder tails
- Riveted Hex nuts or hardware accessories options available

RoHS Compliant

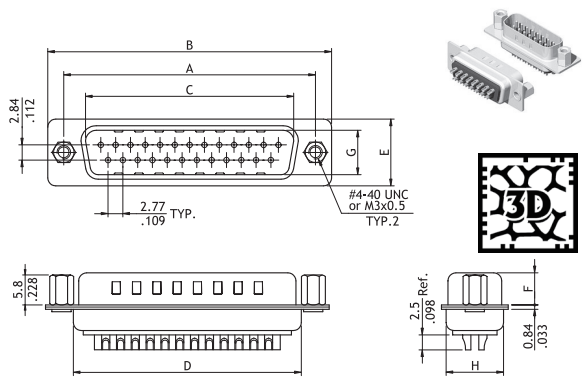
Plug Connector (00 Type)



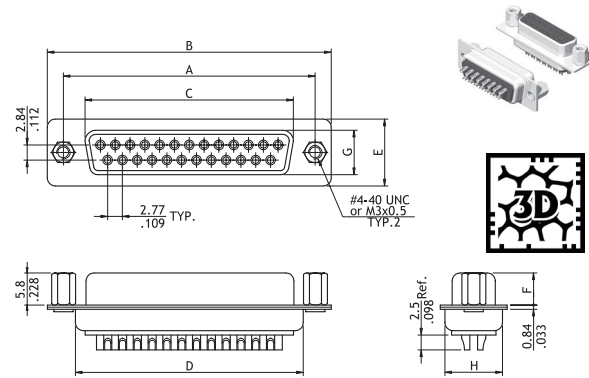
Receptacle Connector (00 Type)



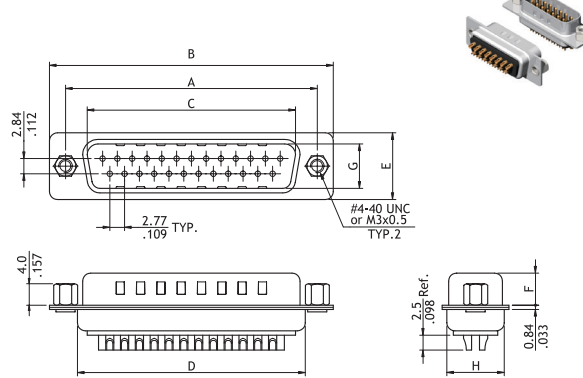
Plug Connector (A0/A1 Type)



Receptacle Connector (A0/A1 Type)



Plug Connector (B0/B1 Type)



Receptacle Connector (B0/B1 Type)

