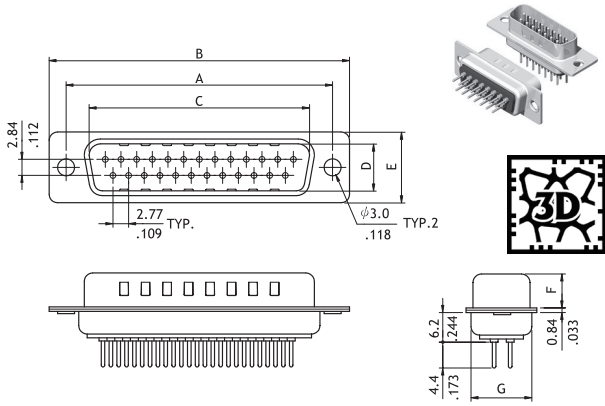


**CD72 Series Machined Contact Straight DIP Solder D-Sub**

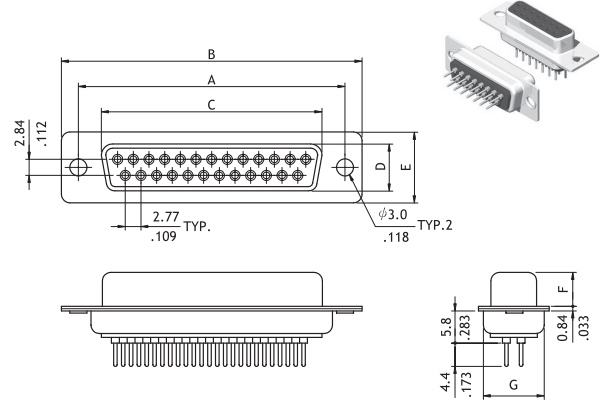
- ⊙ Mate with standard D-Sub
- ⊙ With metal shell and solder tails
- ⊙ Riveted Hex nuts or hardware accessories options available

RoHS Compliant 

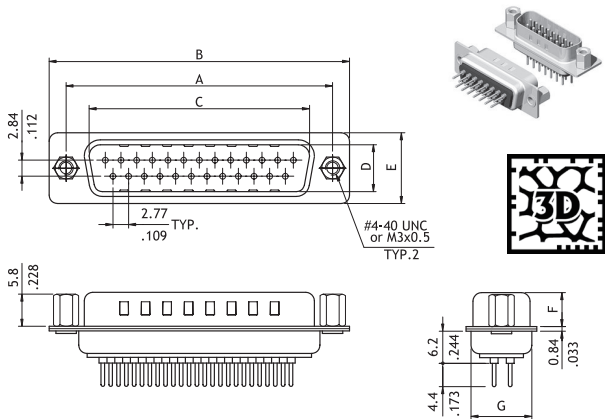
Plug Connector (00 Type)



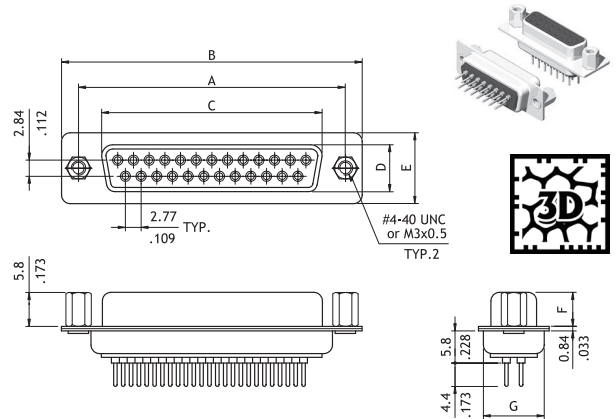
Receptacle Connector (00 Type)



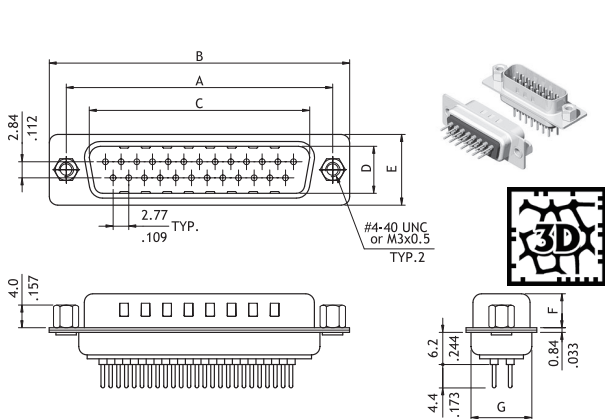
Plug Connector (A0/A1 Type)



Receptacle Connector (A0/A1 Type)



Plug Connector (B0/B1 Type)



Receptacle Connector (B0/B1 Type)

