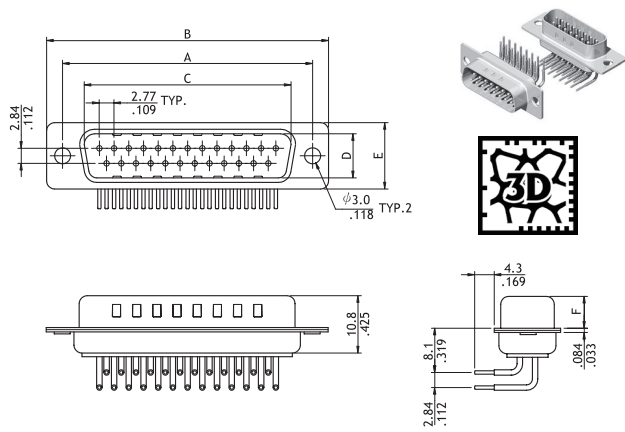


CD73 Series 8.10mm Footprint Right Angle DIP Solder D-Sub

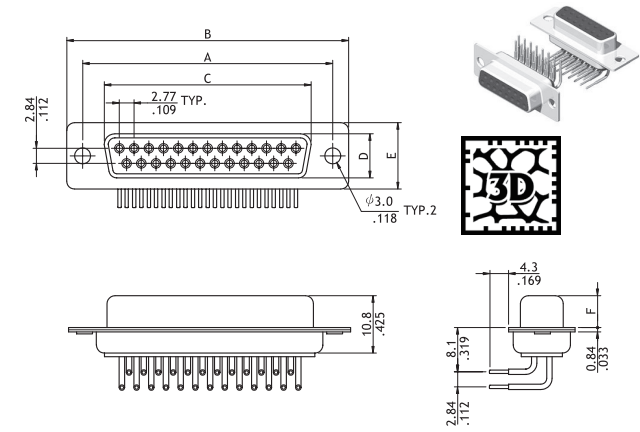
- ⊙ Machined contact with right angle solder tails
- ⊙ Mate with standard D-Sub
- ⊙ Metal shell and solder tails
- ⊙ Riveted Hex nuts or hardware accessories options available

RoHS Compliant 

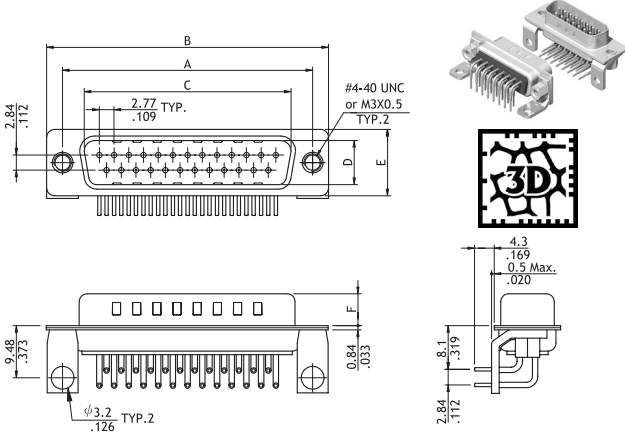
Plug Connector (00 Type)



Receptacle Connector (00 Type)



Plug Connector (10/12 Type)



Receptacle Connector (10/12 Type)

