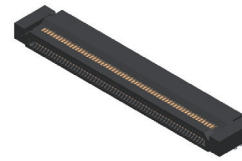
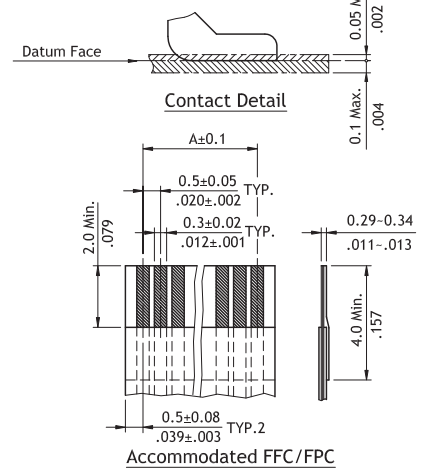
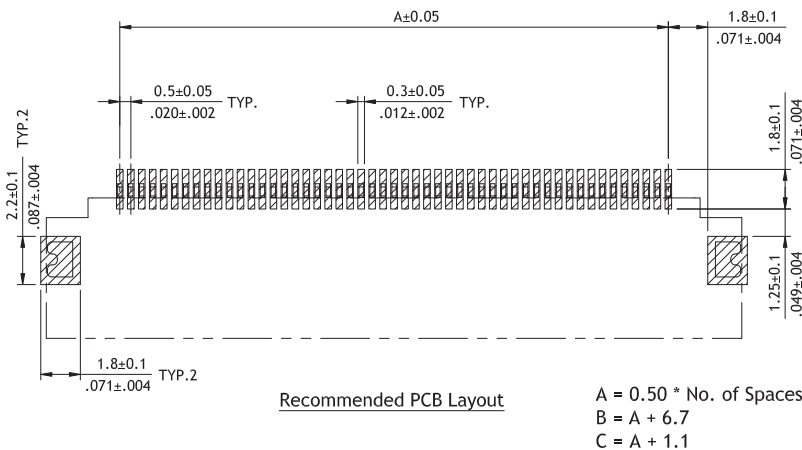
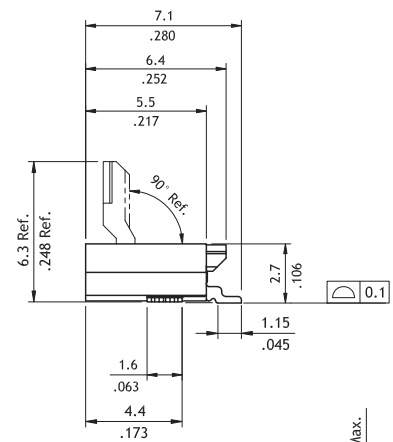
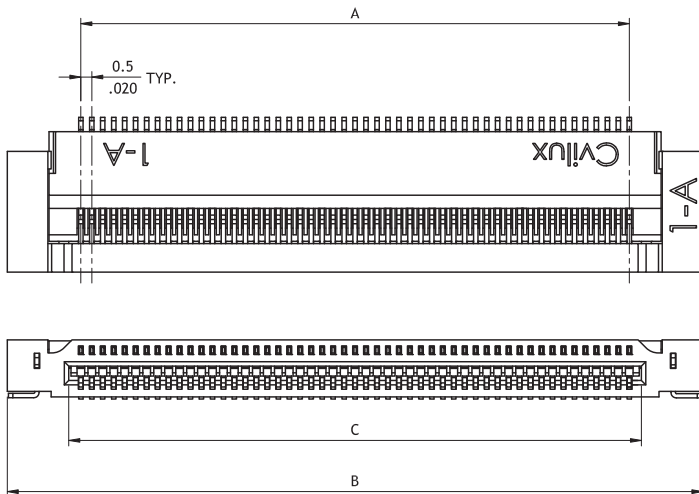


CF11 Series 0.50mm(.039")H=2.70 SMT ZIF FFC/FPC Connectors (Back Flip)

- ⊙ 2.7mm above the board
- ⊙ Copper alloy dual contacts
- ⊙ Insulator: High temperature plastic UL 94V-0, Color Black
- ⊙ Cover: High temperature plastic UL 94V-0, Color Black
- ⊙ With metal fixed tabs to secure connector in place



RoHS Compliant



Ordering Code	①	②	③	④	⑤	⑥	⑦	⑧	⑨	
CF 1 1	5 1	2	D	1	R	A	-	05	-	NH
① Series No.	② No. of Circuits: 04 to 60 (Available: 5,8,20,26,41,45, 50,51) *Circuits not found above please consult manufacturer*	③ Plating Code: 2 = Gold flash over Nickel	④ Contact Style: D = Downside Contact	⑤ Color: 1 = Black	⑥ Packing: R = Tape & Reel T = Tube	⑦ Other Options: A = Standard	⑧ Pitch: 05 = 0.50 mm	⑨ Process: -NH = For Lead Free IR process and Halogen-Free		