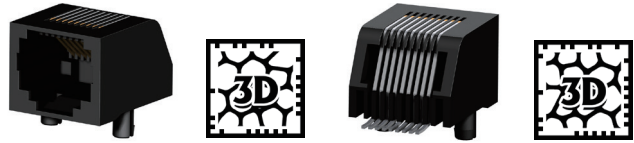


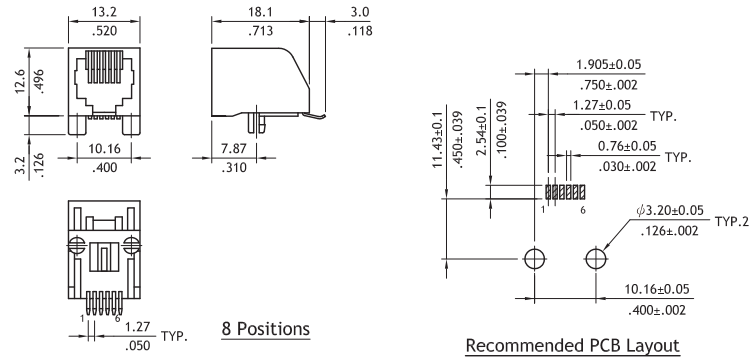
CJ31 Series Board Mount Telephone Jacks

- Available in 6, 8 and 10 ways
- Insulator: Black, Glass Filled polyester
- Flammability Rating: UL 94V-0
- Cavity confirms to FCC rules and regulations
- PART 68, SUBPART F

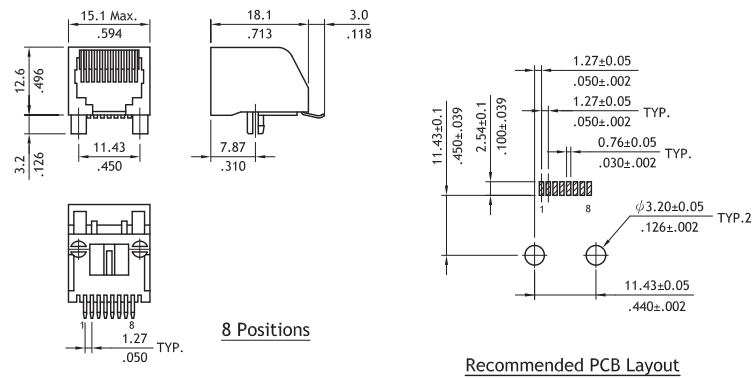


RoHS Compliant

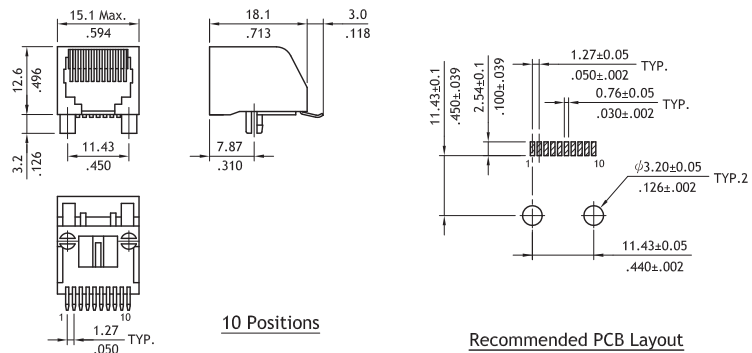
P/N CJ316**11SM



P/N CJ318**11SM



P/N CJ31AA*11SM



P/N CJ316**1100

