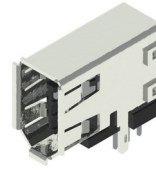


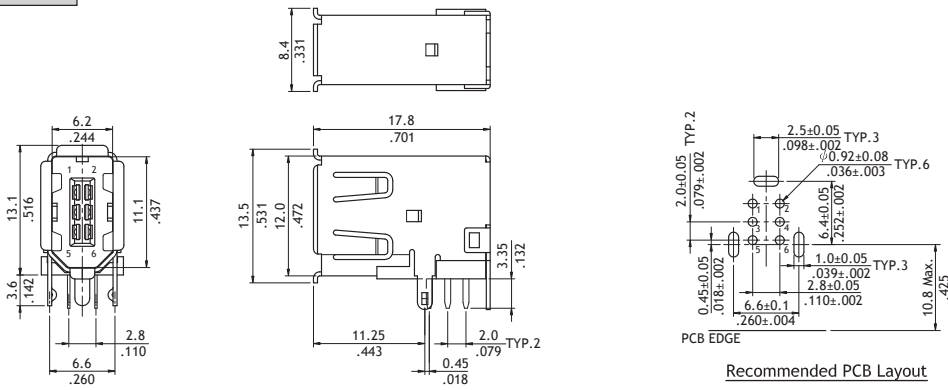
**CU05 Series IEEE 1394 Shielded I/O Receptacle Connectors**

- ⊙ Available right angle and up-right angle version
- ⊙ With ground pegs
- ⊙ Provide the interface for speeds up to 400Mbps
- ⊙ Full metal shielding for ESD protection
- ⊙ High temperature plastic housing for SMT processing
- ⊙ Gold plated leaf contact withstand up to 1500 cycles
- ⊙ Polarized box shell design and lock grounding finger sensure plug retention

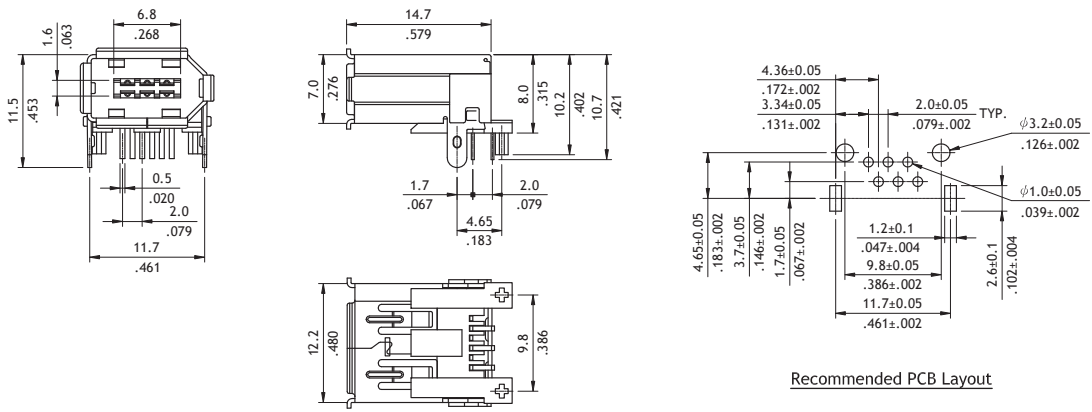


RoHS Compliant

P/N CU05SCH1U00



P/N CU05S\*H\*F00



**Ordering Code**

① CU05 ② S ③ C ④ H ⑤ 1 ⑥ F ⑦ 0A

- ① Series No.
- ② S = Socket
- ③ Plating Option:  
C = Selective 30µ"Gold plated over Nickel  
\*Optional plating available but MOQ requested
- ④ Tail Type: H = Side Entry
- ⑤ Insulator Color: 1 = Black
- ⑥ Type: F = Flat  
U = Upright
- ⑦ Other Options: 0A = Standard (Flat)  
00 = Standard (Upright)