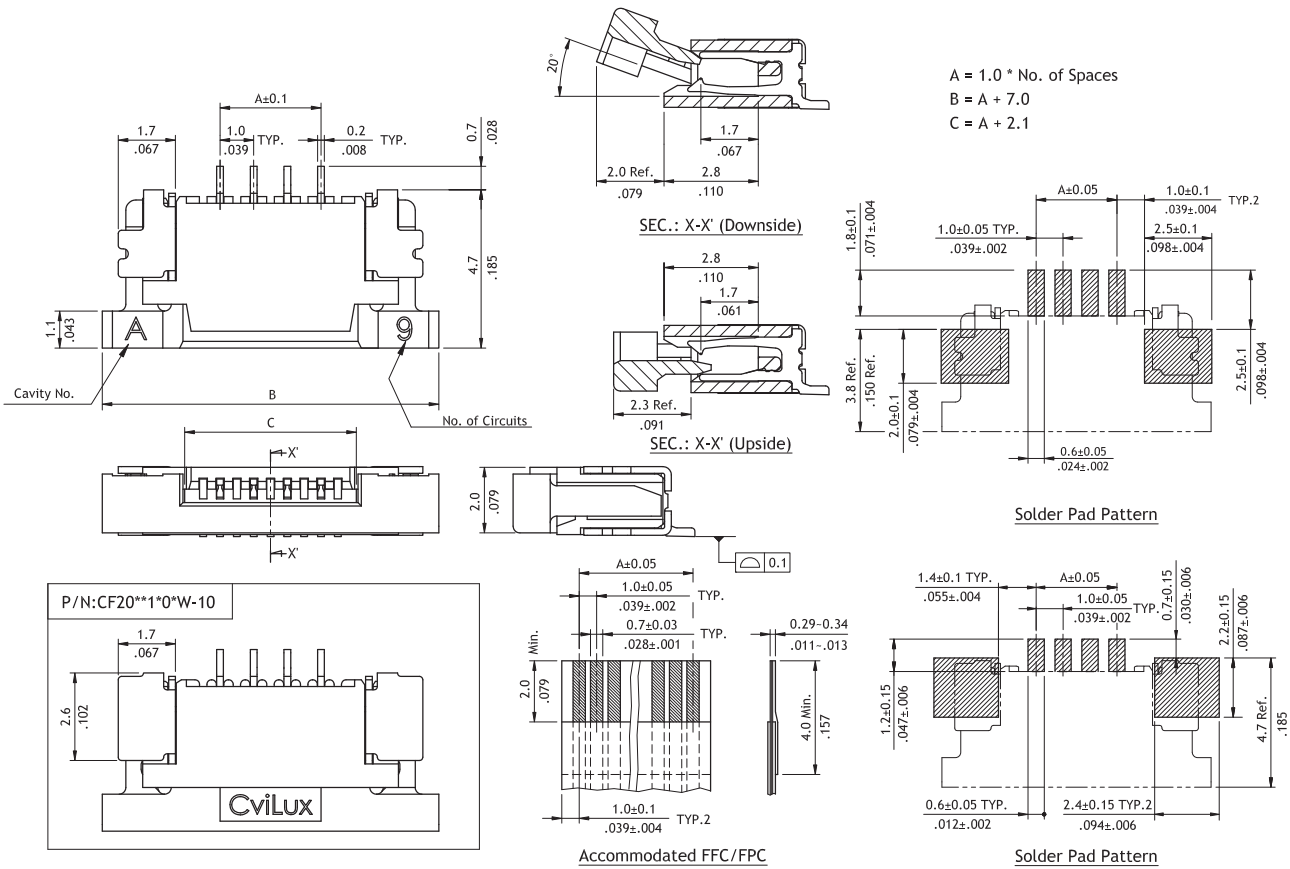
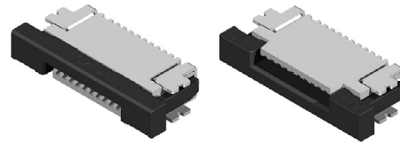


**CF20 Series 1.00mm(.039") H=2.00 SMT ZIF FFC/FPC Connectors**

- ⊙ Insulator: High temperature plastic UL 94V-0, Color Nature
- ⊙ Slider: High temperature plastic UL 94V-0, Color Black
- ⊙ With metal fixed tabs to secure connector in place



**Ordering Code**

①	②	③	④	⑤	⑥	⑦	⑧	⑨
CF	20	27	1	U	0	R	0	- 10 - NH

- ① Series No.
- ② No. of Circuits: 04 to 27
- ③ Plating Code:  
1 = Matte Tin over Nickel  
2 = Gold flash over Nickel
- ④ Contact Style:  
U = Upside Contact  
D = Downside Contact
- ⑤ Color: 0 = Nature
- ⑥ Packing:  
R = Tape & Reel  
T = Tube
- ⑦ Other Options: 0 = Standard  
W = Wide Tabs  
\*Special option consult manufacturer
- ⑧ Pitch: 10 = 1.00 mm
- ⑨ Process: -LF = For Lead Free IR process  
-NH = For Lead Free IR process and Halogen-Free