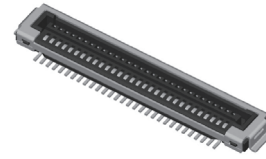


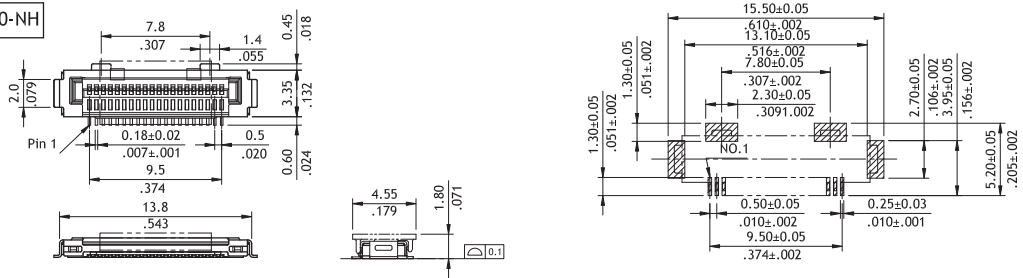
**CVS3 Series 0.50mm(.020") M/H=2.00 LVDS Socket for NB**

- ⊙ Mating Height 2.0mm
- ⊙ Mate with CVS2 Plug
- ⊙ Product application: Laptop PC, NB
- ⊙ Insulation: High temperature plastic UL 94V-0, Color Black
- ⊙ Cap: High temperature plastic, Color Black
- ⊙ Shell: Copper Alloy
- ⊙ Contact: Copper Alloy

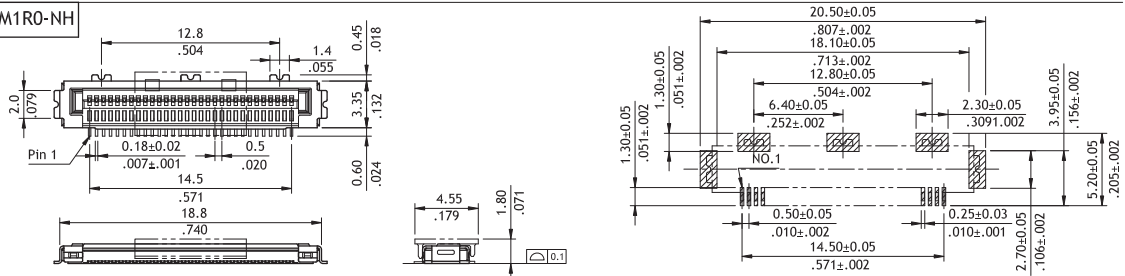


RoHS Compliant

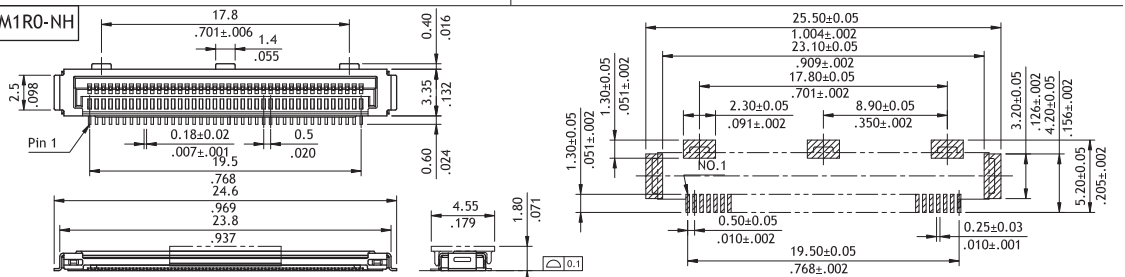
P/N CVS320\*M1R0-NH



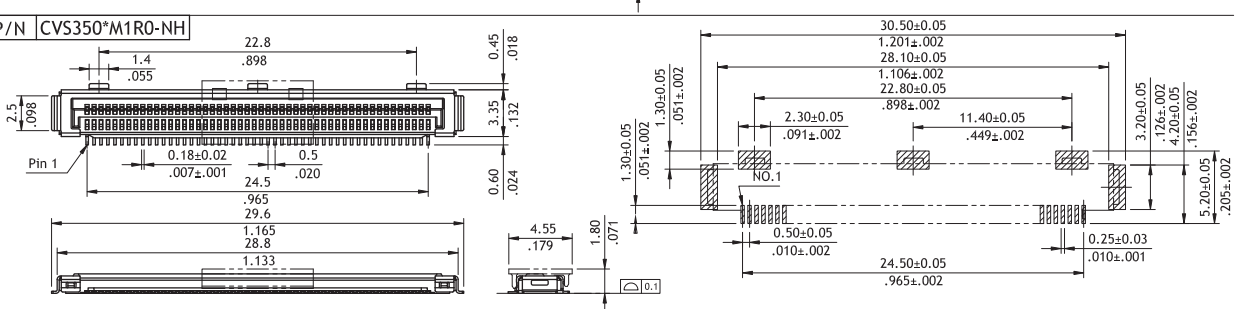
P/N CVS330\*M1R0-NH



P/N CVS340\*M1R0-NH



P/N CVS350\*M1R0-NH



**Ordering Code**

① ② ③ ④ ⑤ ⑥ ⑦ ⑧  
**CVS 3 5 0 2 M 1 R 0 - NH**

- ① Series No.
- ② No. of Circuits: 20, 30, 40, 50
- ③ Plating Code:  
2 = Gold flash over Nickel  
\*Optional plating available but MOQ requested
- ④ M = SMT Type Header
- ⑤ Color: 1 = Black
- ⑥ Packing: R = Tape & Reel
- ⑦ Other Options: 0 = Standard  
\*Special options consult manufacturer
- ⑧ Process: -NH = For Lead Free IR process and Halogen-Free