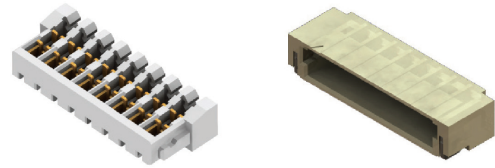


C118 Series 0.80mm(.031") Wire to Board Housing & SMT Headers

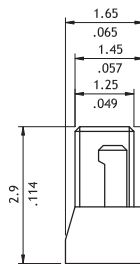
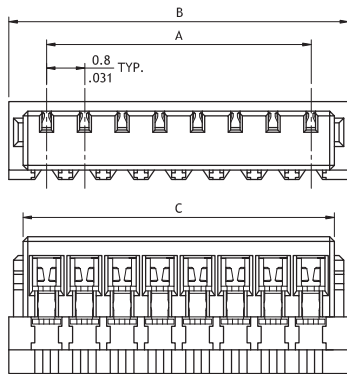
- ⊙ Fixed tabs provide PCB hold-down
- ⊙ Insulator: High temperature plastic UL 94V-0, Color Nature
- ⊙ Housing: High temperature plastic UL 94V-0, Color Nature



RoHS Compliant



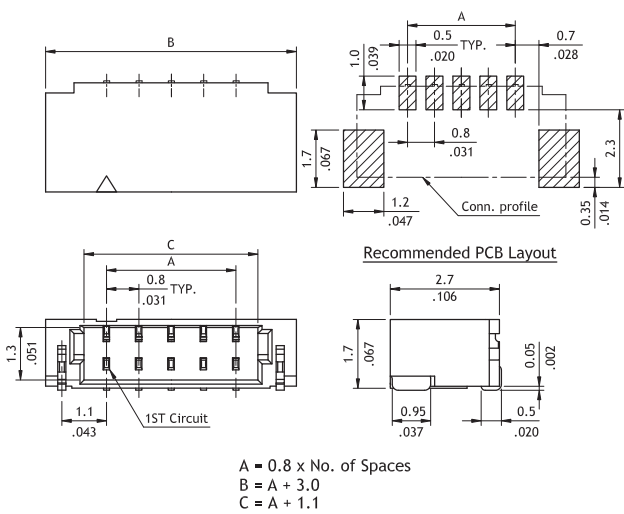
P/N C118**S200*-NH



A = 0.8 x No. of Spaces
 B = A + 1.6
 C = A + 1.0

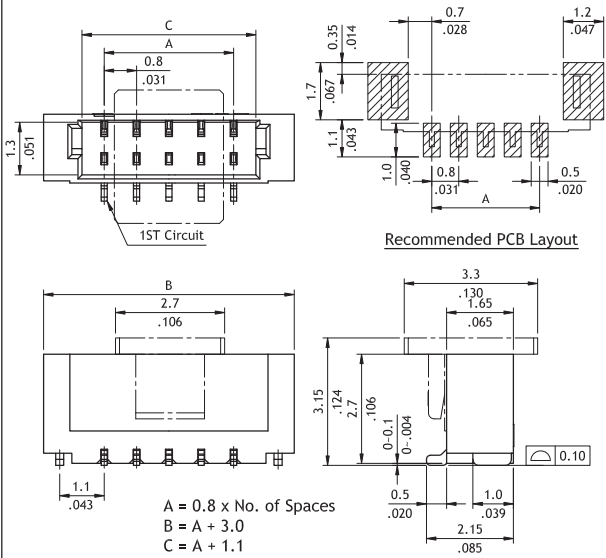
Wire Range	Insulation Diameter
AWG #32	0.39 mm (.015)
AWG #36	0.29 mm (.011)

P/N C118**M2HR0-NH



A = 0.8 x No. of Spaces
 B = A + 3.0
 C = A + 1.1

P/N C118**M2VR0-NH



A = 0.8 x No. of Spaces
 B = A + 3.0
 C = A + 1.1

Ordering Code

① C118 ② 15 ③ S ④ 2 ⑤ 000 - ⑥ NH

- ① Series No.
- ② No. of Circuits: 02 to 15
- ③ S = Housing
- ④ Plating Code:
 1 = Matte Tin over Nickel
 2 = Gold flash over Nickel
- ⑤ Other Options: 000 = AWG #32(Standard)
 00A = AWG #36
- ⑥ -NH = For Halogen-Free

① C118 ② 15 ③ M ④ 2 ⑤ H ⑥ R ⑦ 0 - ⑧ NH

- ① Series No.
- ② No. of Circuits: 02 to 15
- ③ M = SMT Type
- ④ Plating Code: 1 = Matte Tin plated over Nickel
 2 = Gold flash over Nickel
- ⑤ Type: V = Top Entry ; H = Side Entry
- ⑥ Packing Options: R = Tape & Reel
- ⑦ Other Options: 0 = Standard
- ⑧ Process: -NH = For Lead Free IR process and Halogen-Free