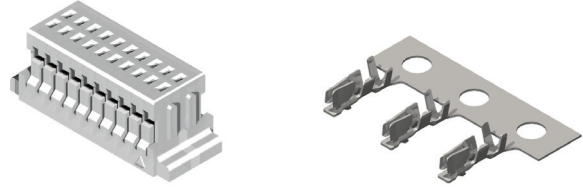
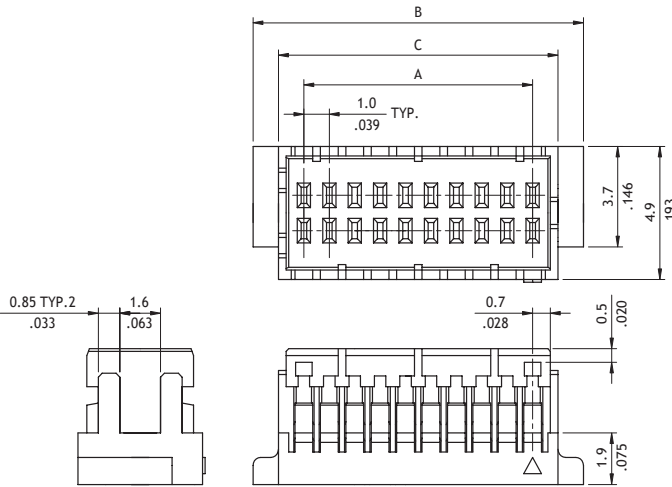


CI11 Series 1.00mm(.039") Dual Row Wire to Board Housing & Terminal

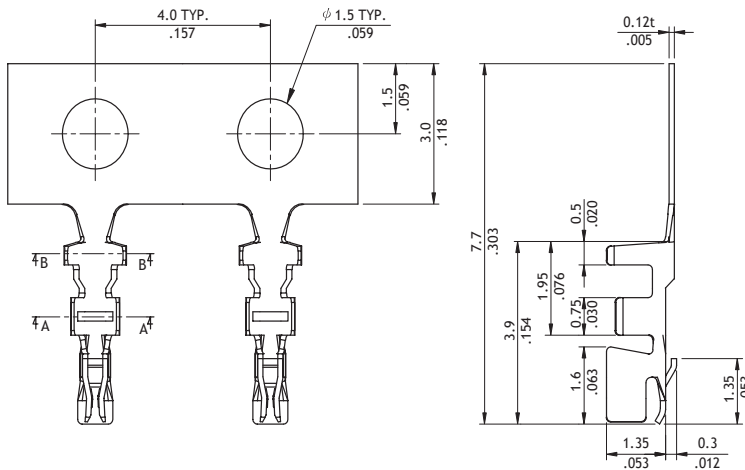
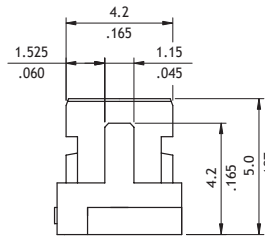
- ⊙ Insulator: Polyester UL 94V-0, Color Nature
- ⊙ Terminal: Tin plated, Phosphor Bronze
- ⊙ Mate with CI11 headers
- ⊙ Compact design
- ⊙ Protrusions design for easy pull out



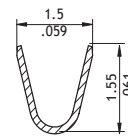
RoHS Compliant  



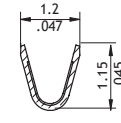
A = 1.0 x No. of Spaces
 B = A + 4.0
 C = A + 2.2



Wire Range	Insulation Diameter	Reel Qty
AWG #28-#32	0.4-0.8(mm) (.016-.031)	16,000 PCS



SEC.: B-B



SEC.: A-A

Ordering Code

① C I 1 1 ② 5 0 ③ S ④ D ⑤ 0 0 0 - ⑥ N H ① C I 1 1 ② T 0 1 ③ 1 ④ P ⑤ P H

- ① Series No.
- ② No. of Circuits: 14, 16, 20, 30, 40, 50
- ③ S = Housing
- ④ D=Dual Row Type
- ⑤ Other Options: 000 = Standard
*Special options consult manufacturer
- ⑥ Process: -NH = For Halogen-Free

- ① Series No.
- ② Type:T01= AWG #28~#32
- ③ Plating Code: 1= Tin over Nickel
- ④ Material: P=Phosphor Bronze
- ⑤ Other Option:
PH= Low Single contact force