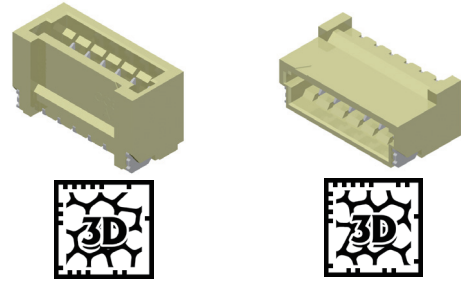


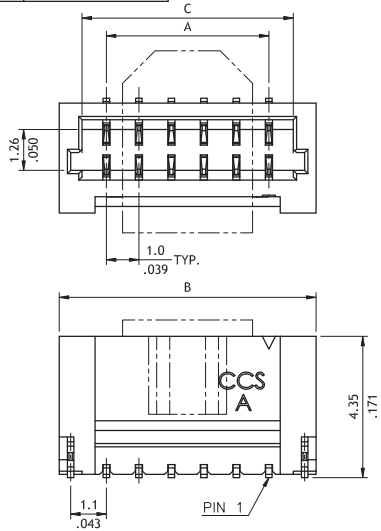
**CI16 Series 1.00mm(.039") Wire to Board Connectors SMT Headers**

- ⊙ Fixed tabs provide PCB hold-down
- ⊙ Mate with CI16 housing
- ⊙ Insulator: High temperature plastic UL 94V-0, Color Nature
- ⊙ Terminal: Tin plated Phosphor Bronze

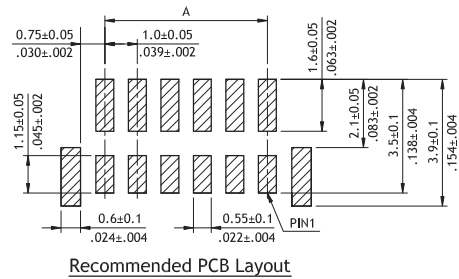
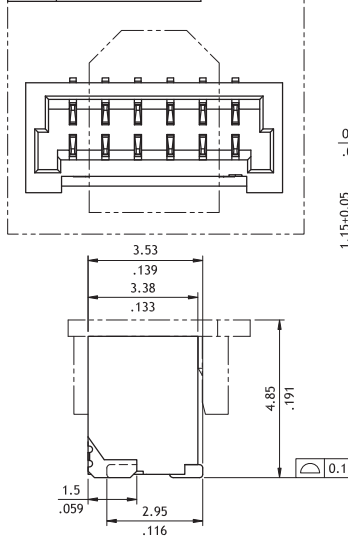
RoHS Compliant



P/N CI16\*\*M1VR0-NH



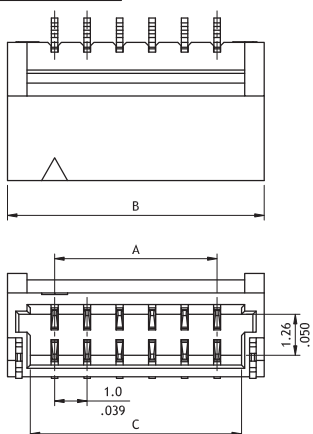
P/N CI16\*\*M1VRA-NH



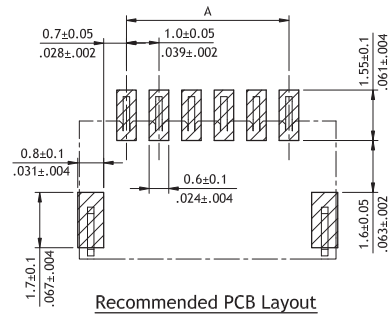
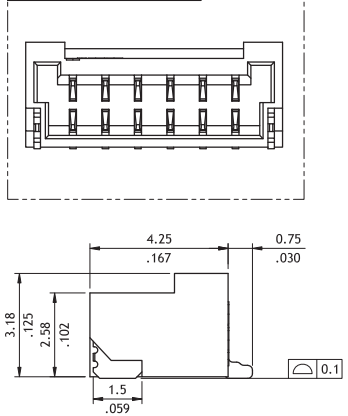
Recommended PCB Layout

A = 1.00 x NO. OF SPACES  
 B = A + 2.90  
 C = A + 1.50

P/N CI16\*\*M1HR0-NH



P/N CI16\*\*M1HRA-NH



Recommended PCB Layout

A = 1.00 x NO. OF SPACES  
 B = A + 2.90  
 C = A + 1.50

**Ordering Code**

① ② ③ ④ ⑤ ⑥ ⑦ ⑧  
**CI16 20 M 1 V R 0 - NH**

- ① Series No.
- ② No. of Circuits: 02 to 20
- ③ M = SMT Type
- ④ Plating Code: 1 = Matte Tin over Nickel
- ⑤ Type: V = Top Entry  
 H = Side Entry
- ⑥ Packing Options: R = Tape & Reel
- ⑦ Other Option: 0 = Standard  
 A = Type 1
- ⑧ Process: -NH = For Lead Free IR Process and Halogen-Free