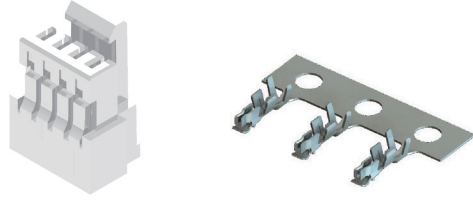


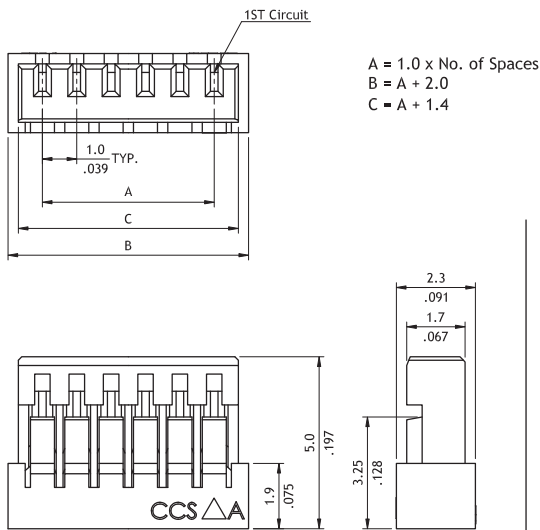
**CI14 Series 1.00mm(.039") Wire to Board Connectors Housing & Terminal**

- ⊙ Mate with CI14 Header
- ⊙ Can be used with CI14 crimp clip terminal
- ⊙ Insulator: Glass filled polyester UL 94V-0, Color Nature
- ⊙ Terminal: Tin plated Phosphor Bronze

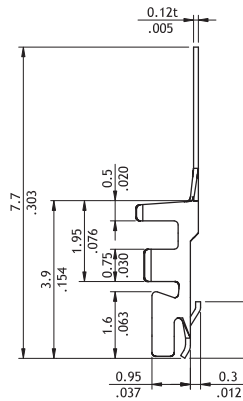
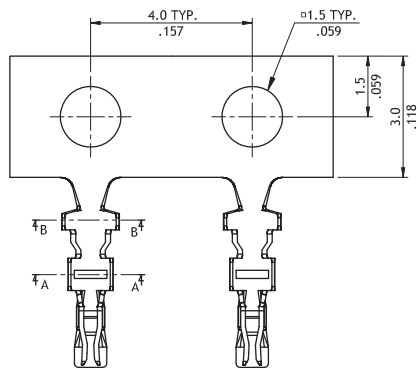
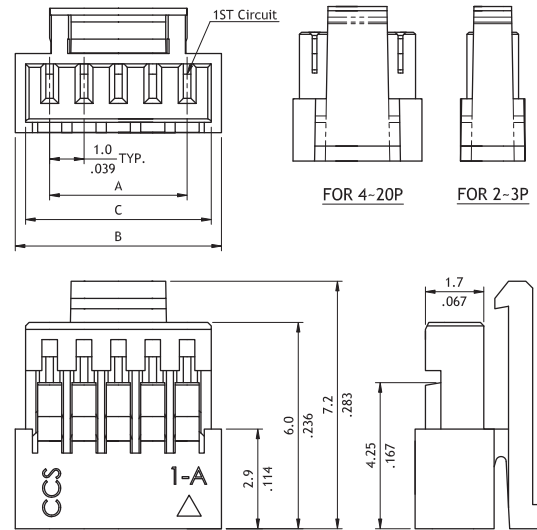


RoHS Compliant  

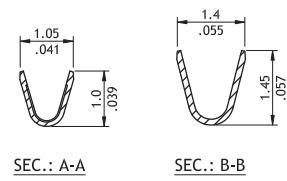
Without Latch Type



With Latch Type



Wire Range	Insulation Diameter	Reel Q'ty
AWG #28-#32	0.65-0.92(mm) (.026-.036)	16,000 PCS.



**Ordering Code**

① C I 14    ② 20    ③ S    ④ 000A    -    ⑤ NH    ① C I 14    ② T01    ③ 1    ④ P    ⑤ E0

- ① Series No.
- ② No. of Circuits: 02 to 20
- ③ S = Housing
- ④ 000A = Without Locking Latch  
L000 = With Locking Latch
- ⑤ Process: -NH = Halogen-Free
- ① Series No.
- ② Type:T01= AWG #28-#32
- ③ Plating Code: 1= Tin plated
- ④ Material: P=Phosphor Bronze
- ⑤ Other Option: E0=Standard