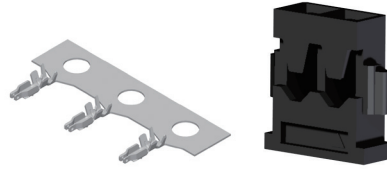


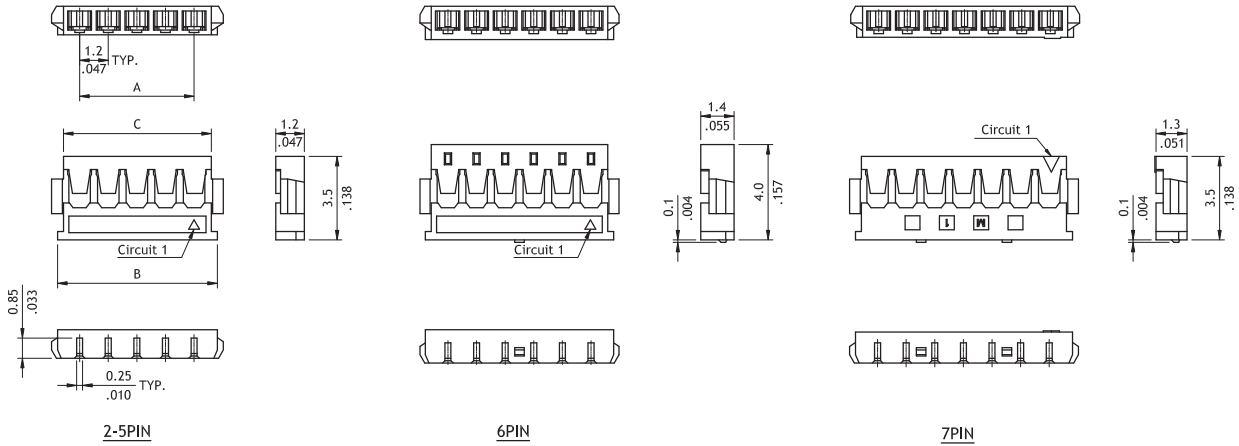
**CI63 Series 1.20mm(.048") Wire to Board Housing / Terminal**

- ⊙ Mate with CI63 Header
- ⊙ Can be used with CI63 crimp clip terminal
- ⊙ Insulation: High temperature plastic UL 94V-0, Color Black



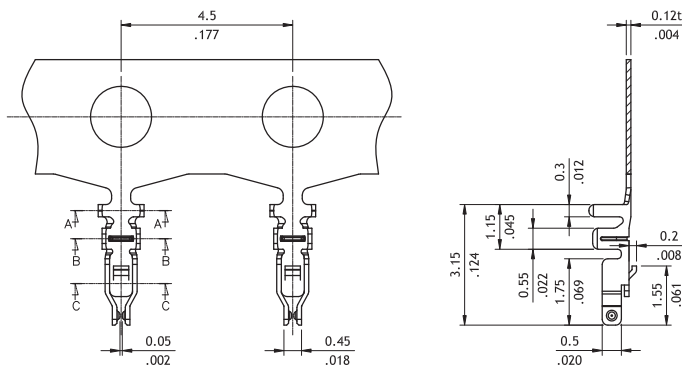
RoHS Compliant

P/N CI63\*\*S0000

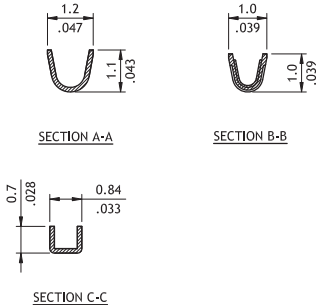


A = 1.20 x No. of Circuits  
 B = A + 1.9  
 C = A + 1.4

P/N CI63T012PP0



Wire Range	Insulation Diameter	Reel Qty
AWG #28-#30	0.70 (.028) MAX.	15,000 PCS.



**Ordering Code**

①	②	③	④	①	②	③	④	⑤
<b>C I 63</b>	<b>07</b>	<b>S</b>	<b>0 0 0 0</b>	<b>C I 63</b>	<b>T 01</b>	<b>2</b>	<b>P</b>	<b>P 0</b>

① Series No.  
 ② No. of Circuits: 02 to 07  
 ③ S = Housing  
 ④ Other Options: 0000 = Standard

① Series No.  
 ② Type: T01=AWG #28~ #30  
 ③ Plating :  
 2 = Gold Flash plated over Nickel  
 ④ Material : P=Phosphor Bronze  
 ⑤ Option : P0 =Standard