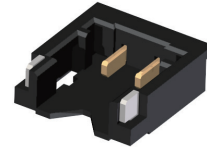
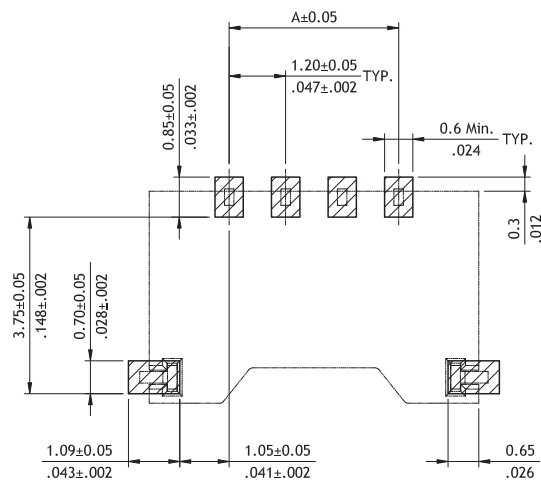
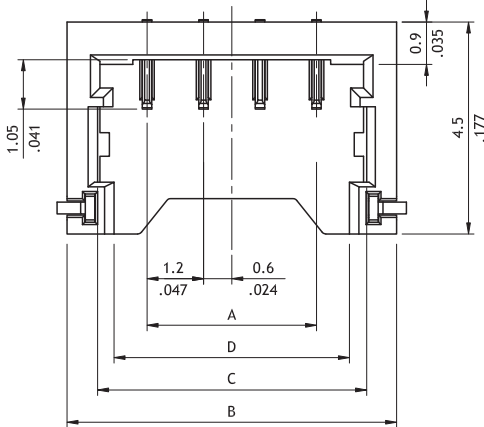


CI63 Series 1.20mm(.048") Wire to Board SMT Headers

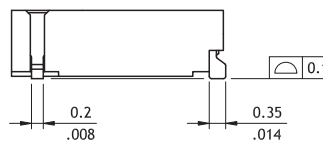
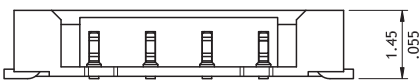
- ⊙ Mate with CI63 Housing
- ⊙ Insulation: High temperature plastic UL 94V-0,
- ⊙ Color Black



RoHS Compliant



Recommended PCB Layout



- A = 1.20 x No. of Circuits
- B = A + 3.4
- C = A + 2.1
- D = A + 1.4

Ordering Code

① C I 63    ② 10    ③ M    ④ 2    ⑤ V    ⑥ R    ⑦ 0    -    ⑧ NH

- ① Series No.
- ② No. of Circuits: 2 to 8,10
- ③ Solder Type: M = SMT
- ④ Plating Code: 2 = Gold plated over Nickel

- ⑤ Type: V = Vertical Type
- ⑥ Packing Options: R = Tape & Reel Packing
- ⑦ Other Option: 0 = Standard
- ⑧ Process: -NH = For Lead Free IR process and Halogen-Free