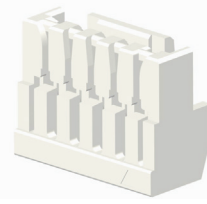


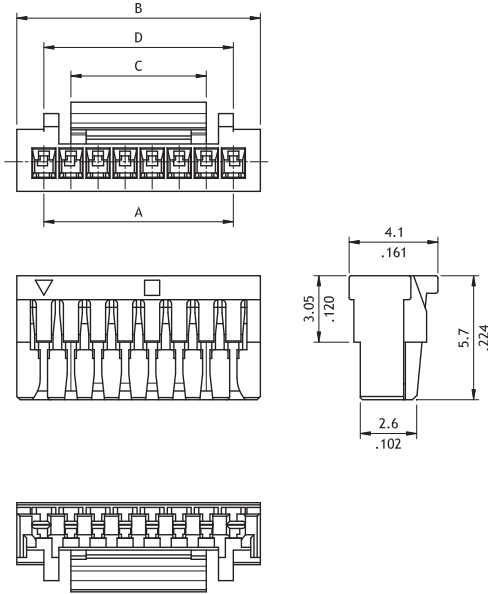
CI40 Series 1.25mm(.049") Wire to Board Housing & Terminal & SMT Header

- ⊙ Locking latch provide secure mating
- ⊙ Insulation: Nylon66 UL 94V-0,Color Nature
- ⊙ With Gold flash SMT type contact

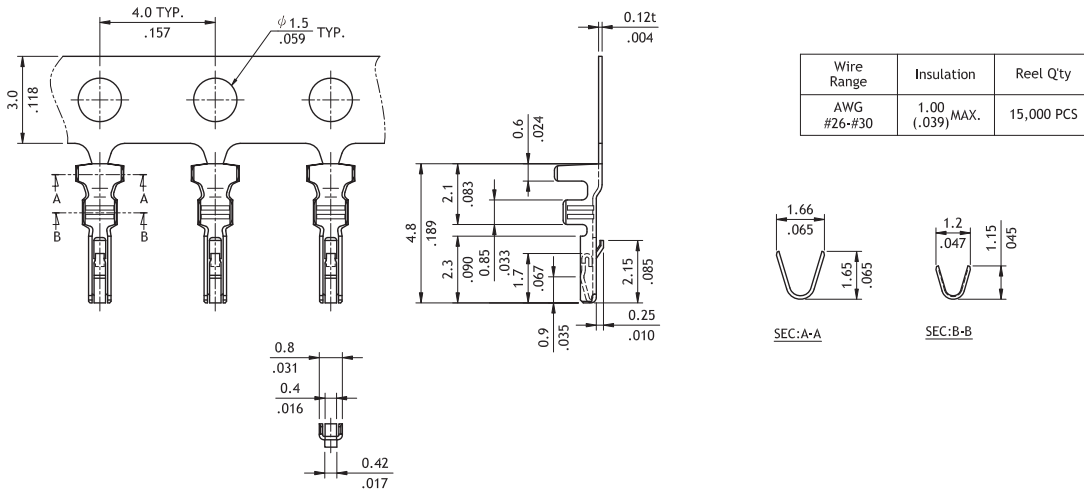


**NEW**

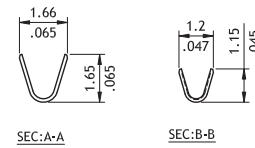
RoHS Compliant



Circuits	Dimension			
	A	B	C	D
2	1.25(.049)	3.75(.148)	2.20(.087)	-
3	2.50(.098)	5.00(.197)	3.20(.126)	-
4	3.75(.148)	6.25(.246)	4.25(.167)	-
5	5.00(.197)	7.50(.295)	4.25(.167)	-
6	6.25(.246)	8.75(.344)	6.25(.246)	-
7	7.50(.295)	10.00(.394)	6.25(.246)	-
8	8.75(.344)	11.25(.443)	6.25(.246)	8.75(.344)
9	10.00(.394)	12.50(.492)	6.25(.246)	10.00(.394)
10	11.25(.443)	13.75(.541)	8.20(.323)	11.25(.443)
11	12.50(.492)	15.00(.591)	8.20(.323)	12.50(.492)
12	13.75(.541)	16.25(.640)	8.20(.323)	13.75(.541)
13	15.00(.591)	17.50(.689)	8.20(.323)	15.00(.591)
14	16.25(.640)	18.75(.738)	8.20(.323)	13.75(.541)
15	17.50(.689)	20.00(.787)	8.20(.323)	15.00(.591)
18	21.25(.837)	23.75(.935)	8.20(.323)	10.70(.421)
20	23.75(.935)	26.25(1.033)	8.20(.323)	10.70(.421)



Wire Range	Insulation	Reel Qty
AWG #26-#30	1.00 (.039) MAX.	15,000 PCS



Ordering Code

① C I 40 ② 02 ③ S ④ L 0 0 0 - ⑤ NH

- ① Series No.
- ② No. of Circuits:
- ③ S =Connector Housing
- ④ Other Options: L000 = Nature (Standard)
- ⑤ Process: -NH = Halogen-Free

① C I 40 ② T01 ③ 1 ④ P ⑤ P0

- ① Series No.
- ② Type: T01=AWG #26~ #30
- ③ Plating Code:  
1= Tin over Nickel
- ④ Material : P=Phosphor Bronze
- ⑤ Other Options : P0 =Standard