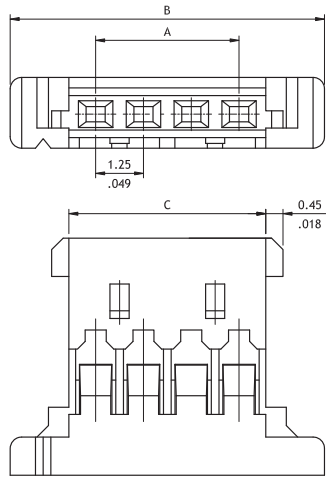
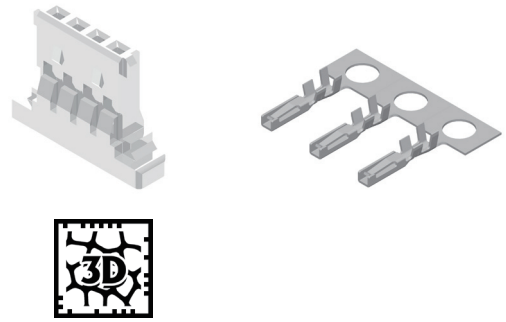


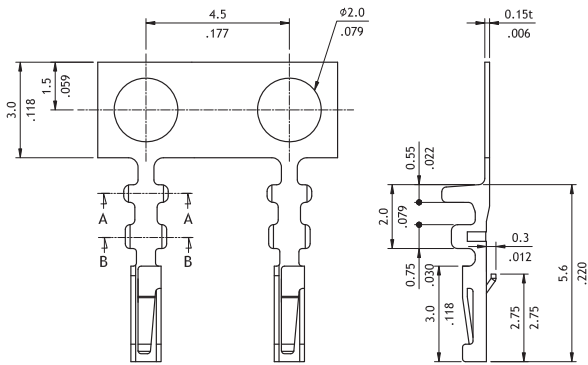
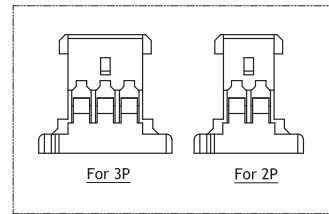
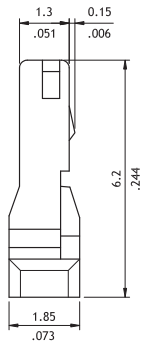
CI42 Series 1.25mm(.049") Wire to Board Housing & Terminal

- ⊙ Mate with CI42 Header
- ⊙ Can be used with CI42 Crimp clip terminal
- ⊙ Insulation: Glass filled polyester UL 94V-0,Color Nature

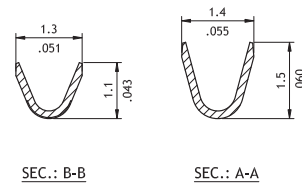
RoHS Compliant   



A = 1.25 * No. of Spaces
 B = A + 4.47
 C = A + 1.4



Wire Range	Insulation Diameter	Reel Qty
AWG #28-#32	1.0 (.039) MAX.	20,000 PCS.



Ordering Code

①	②	③	④	⑤	①	②	③	④	⑤
C	I	4	2	0	C	I	4	2	0
① Series No.	② No. of Circuits: 02 to 20	③ S= Housing	④ L=With Latch	⑤ Other Options: 000=Standard	① Series No.	② Type: T01=AWG #28~ #32	③ Plating Code: 1 = Tin over Nickel	④ Material : P=Phosphor Bronze	⑤ Other Options : P0 =Standard