

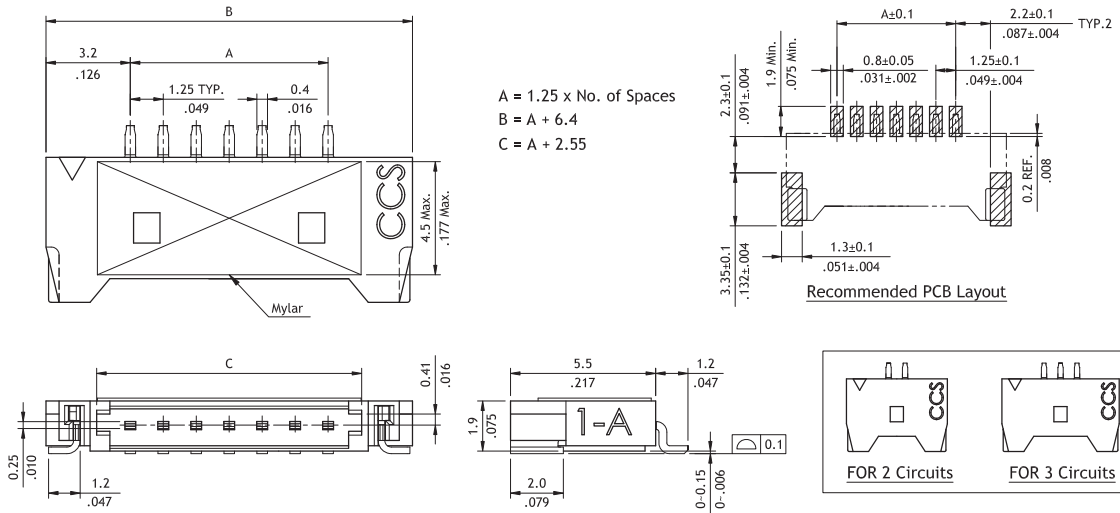
CI42 Series 1.25mm(.049") Wire to Board SMT Header

- Locking ramps provide secure mating
- Fixed tab PCB hold-down and strain-relief for SMT tail
- Insulator: High temperature plastic UL 94V-0, Color Nature
- With Gold flash SMT type contact

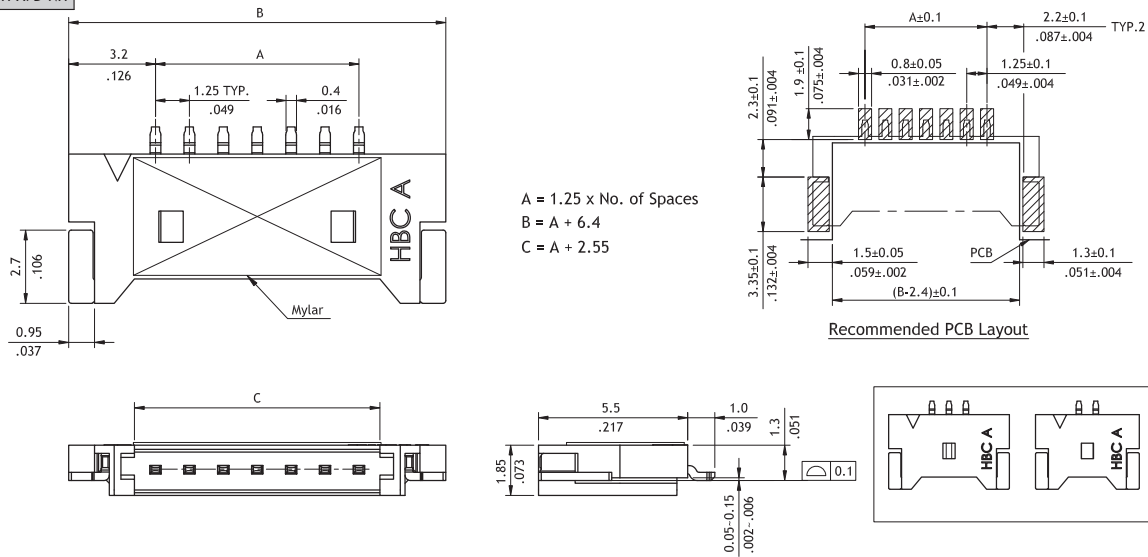


RoHS Compliant

P/N CI42\*\*M\*\*H\*0/P-NH



P/N CI42\*\*M\*\*H\*A/D-NH



Ordering Code

① C I 4 2    ② 1 2    ③ M    ④ 2    ⑤ H    ⑥ R    ⑦ P    -    ⑧ NH

- ① Series No.
- ② No. of Circuits: 02 to 12
- ③ M = SMT Type
- ④ Plating Code:  
2 = Gold flash over Nickel
- ⑤ Type: H = Side Entry
- ⑥ Packing Options:  
R = Tape & Reel
- ⑦ Other Options:  
0 = Without Mylar  
P = With Mylar  
D = Middle mount type, Without Mylar  
A = Middle mount type, With Mylar
- ⑧ Process: -NH = For Lead Free IR process and Halogen-Free