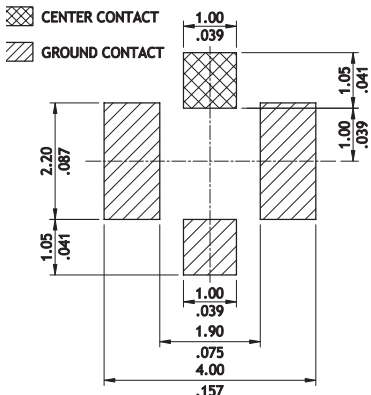
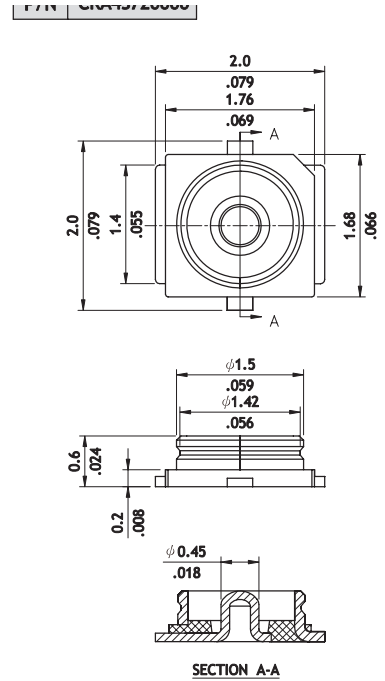
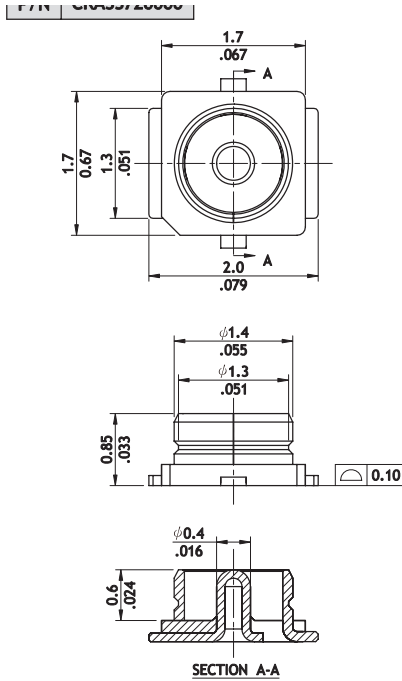
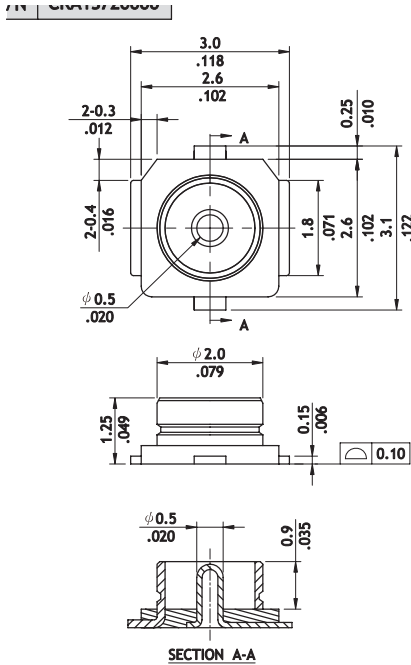
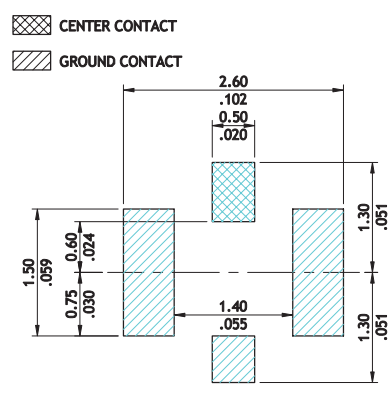


CRA Series RF Micro Coaxial Connectors

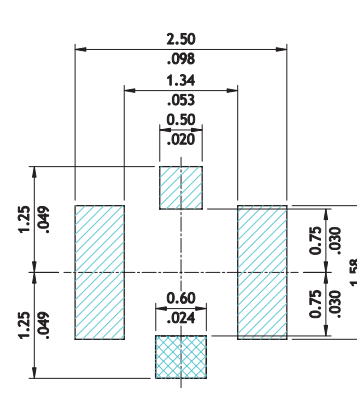
RoHS Compliant



Recommended P.C. Board Layout
(TOLERANCE: ±0.05)



Recommended P.C. Board Layout



Recommended P.C. Board Layout

Ordering Code

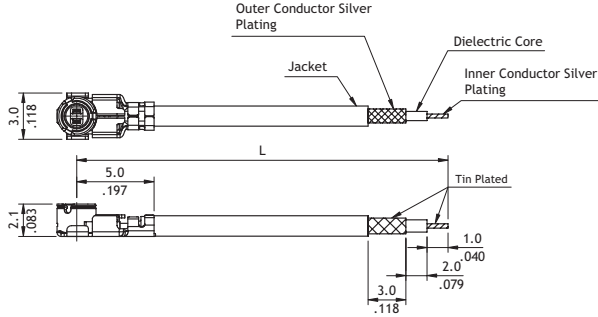
① ② ③ ④ ⑤
CRA1 S 7 2 0000

- ① Series No.
CRA1, CRA3, CRA4
- ② S=Receptacle Connector
- ③ Center Contact Plating:
7 = 3μ"Gold flash over Nickel

- ④ Ground Contact Plating:
2=Gold flash over Nickel
- ⑤ Other Options:
0000=standard

CRA Series RF Micro Coaxial Cable

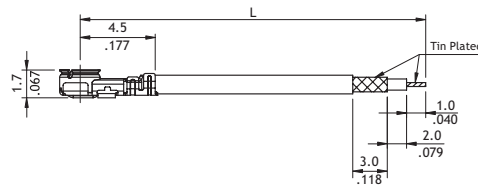
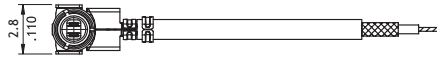
P/N CRA1W*A***1



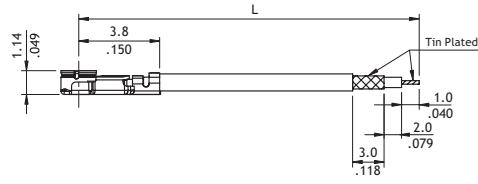
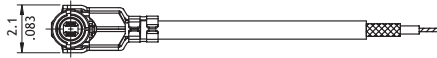
Series	PLUG	Cable Type	Receptacle	Mating Height
CRA1	CRA1W3A***1	1.13	CRA1S72000	2.5mm(Max.)
	CRA1W2A***1	1.32		
	CRA1W4A***1	1.37		
CRA2	CRA2W1A***1	0.81		2.0mm(Max.)
	CRA2W3A***1	1.13		
	CRA2W2A***1	1.32		
CRA2W4A***1	1.37			
CRA3	CRA3W1A***1	0.81	CRA3S72000	1.5mm(Max.)
CRA4	CRA4W1A***1	0.81	CRA4S72000	1.2mm(Max.)
	CRA4W3A***1	1.13		

*Note : Single and dual ends can be offered

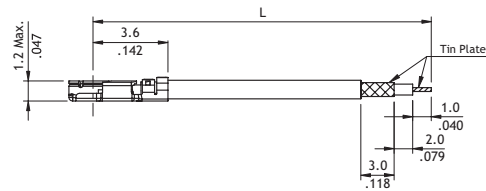
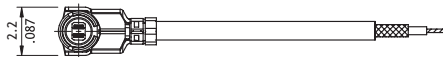
P/N CRA2W*A***1



P/N CRA3W1A***1



P/N CRA4W3A***1



Ordering Code

① CRA ② W ③ 1 ④ A ⑤ 100 ⑥ 1

- ① Series No.
CRA1,CRA2,CRA3,CRA4
- ② W=Wire Assembly
- ③ Application Cable:
1 =OD 0.81mm 2=OD 1.32mm
3=OD 1.13mm 4=OD 1.37mm

- ④ A= Both ends crimped cable(Gold Plated)
B=One end crimped cable,the other end stripped(Gold Plated)
- ⑤ Length:
example:L= 100 = 100mm
- ⑥ Cable Color:1=Black(standard)