

Material:

* Insulation:

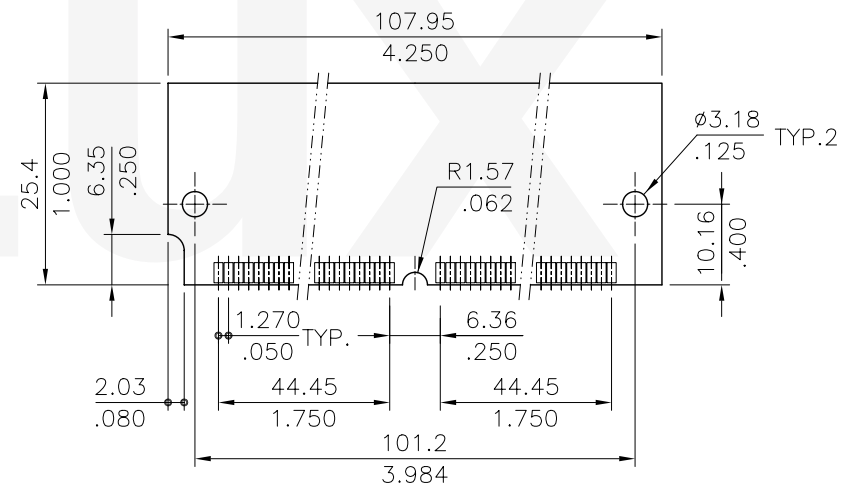
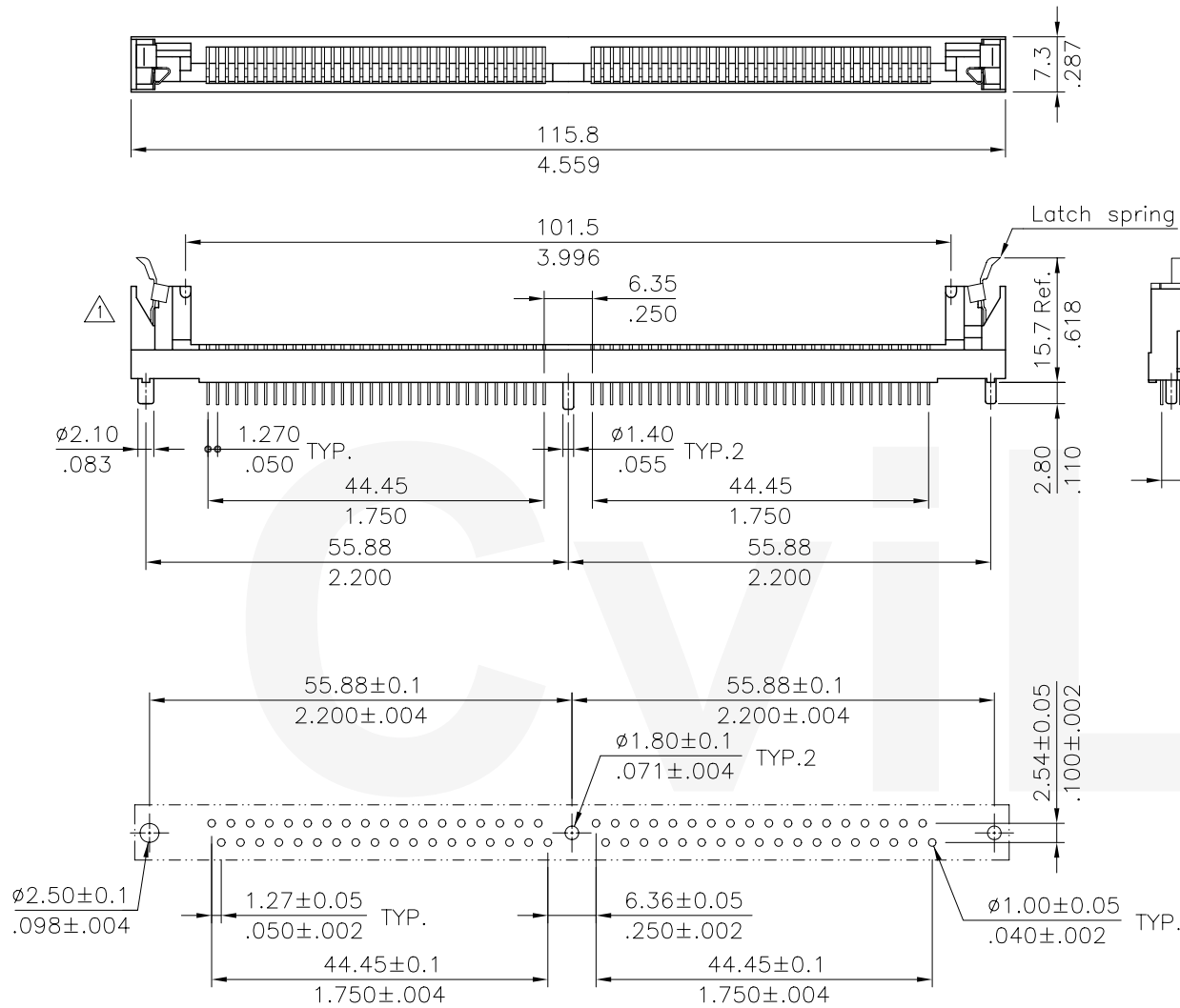
P/N: CS610721000 (LCP UL 94V-0)

P/N: CS6107210A0 (Nylon 46 UL 94V-0)

Color Nature

* Contact: Bronze

* Latch spring: Stainless steel



Recommended P.C. Board Layout

Module P.C. Board Layout

RoHS Compliant

4																			
3																			
2																			
1	Sandy	4/28/05'	ECN05148																
SYM	NAME	DATE	REVISIONS	APPROVED BY:	Alex	5/2/05'													

TITLE: 1.27MM(.050")
SINGLE ROW SIMM SOCKET

MATERIAL:

FINISH:

瀚荃股份有限公司
CviLux Corporation

DRAWING NO.	CS6101SE	PART NO.	CS610721000 CS6107210A0
SCALE	2/1	SHEET	1 OF 1