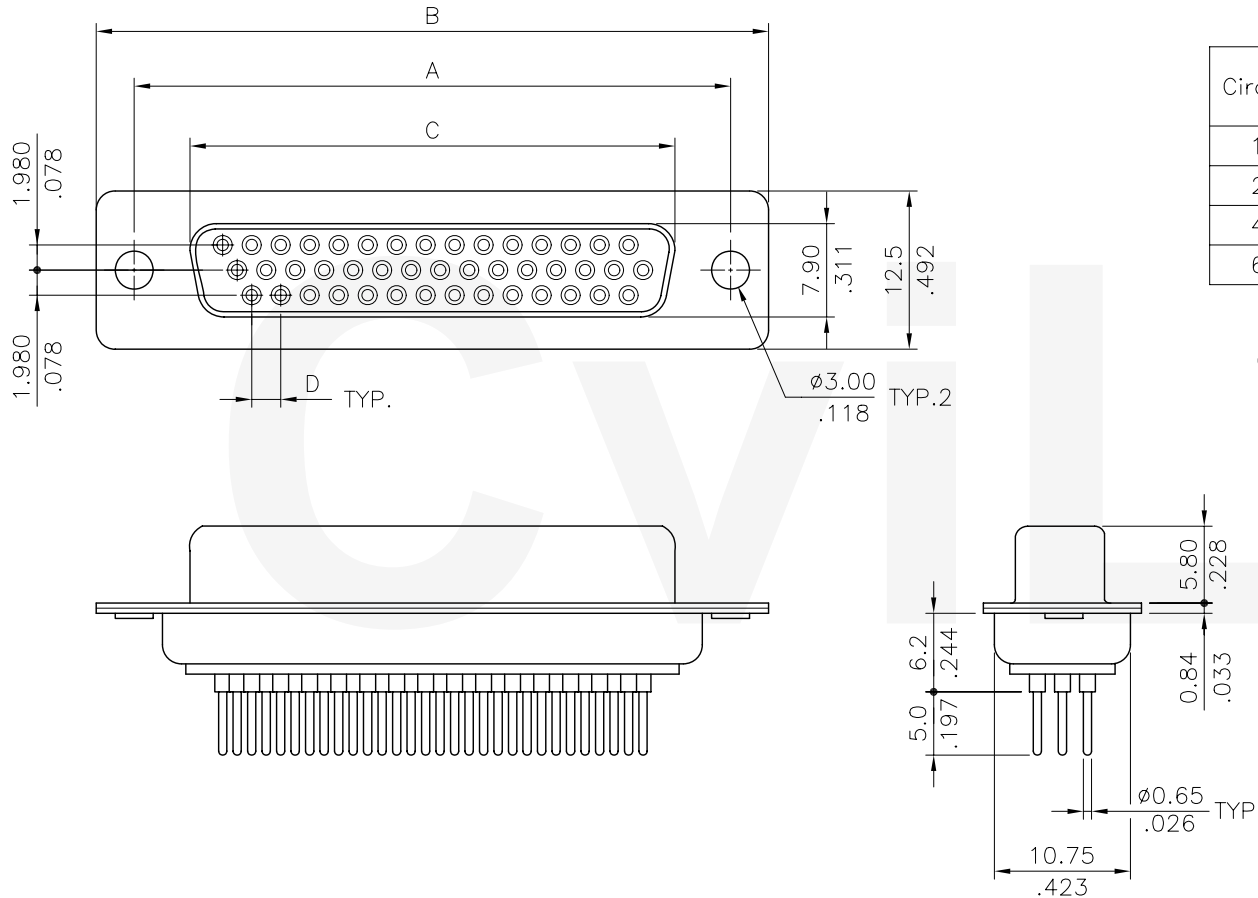


Material:

Insulator: Glass filled Polyester UL 94V-0
Color Black or White

Contact: Brass

Shell: Steel, Tin plated as standard





Circuits	Dimension			
	A	B	C	D
15	25.00(.984)	30.8(1.213)	16.30(.642)	2.290(.090)
26	33.32(1.312)	39.2(1.543)	24.60(.969)	2.290(.090)
44	47.04(1.852)	53.1(2.091)	38.30(1.508)	2.290(.090)
62	63.50(2.500)	69.4(2.732)	54.80(2.157)	2.410(0.95)

Ordering Code :

CD76 44 S * * 00
① ② ③ ④ ⑤ ⑥

- Series No.
- Contacts: 15,26,44,62
- Contact type : P=plug , S=Receptacle
- Contact Plating :
 - 2 = Gold flash plated over 1.27 μ m(50 μ) Nickel
 - 3 = 0.38 μ m(15 μ) Gold plated over 1.27 μ m(50 μ) Nickel
 - 4 = 0.76 μ m(30 μ) Gold plated over 1.27 μ m(50 μ) Nickel
 - 5 = 1.27 μ m(50 μ) Gold plated over 1.27 μ m(50 μ) Nickel
- Insulator Color :
 - 1=Black , 0=White
- Other option :
 - 00 = With ϕ 3.00mm holes on shell

SYM	NAME	DATE	REVISIONS	APPROVED BY:	DATE	UNIT: mm / inch	TITLE: HIGH-DENSITY D-SUB TOP ENTRY FEMALE CONNECTOR (MACHINED CONTACT)	 瀚荃股份有限公司 CviLux Corporation		
4								DRAWING NO. CD7602SA PART NO. CD76***S**00 SCALE 2 / 1 SHEET 1 OF 1		
3			DRAWN BY: David	8/31 00'	TOLERANCE UNLESS OTHERWISE SPECIFIED					
2			ENGINEER: David	8/31 00'	.X \pm 0.30/.012	.X' \pm 1'				
1			CHECKED BY: Alex	8/31 00'	.XX \pm 0.20/.008	.X' \pm				
			APPROVED BY: Alex	8/31 00'	.XXX \pm 0.10/.004	.XX' \pm				