

$A = 1.5 * \text{No. of Spaces}$
 $B = A + 4.5$
 $C = A + 2.1$
 * Available in 2 through 15 circuits

TOLERANCE				
Dim	Circuits	2~6P	7~10P	11~15P
A		±0.10	±0.15	±0.20

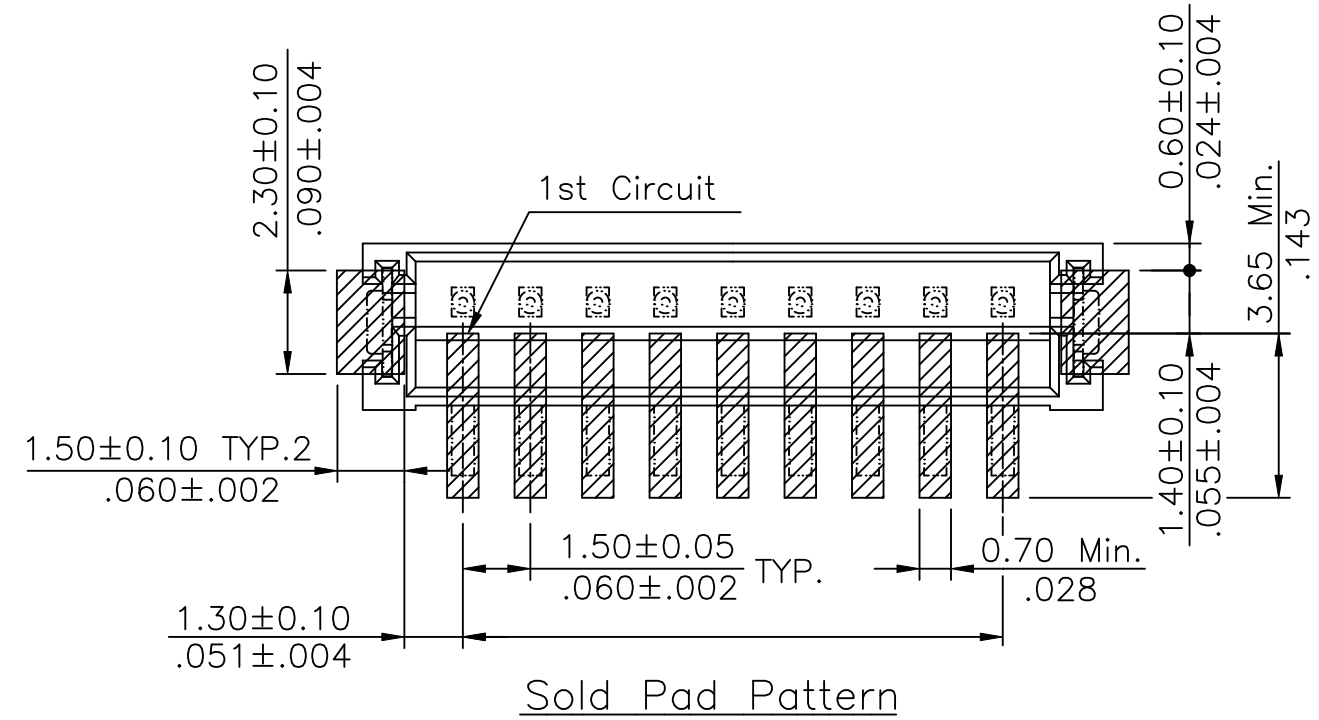
Material:

- * Insulation: High temperature plastic UL 94V-0, Color Nature
- * Contact: Brass with Matte Tin plated
- * TAB: Brass with Matte Tin plated

Ordering Code:

CI15 ** M * V * 0 - NH
 ① ② ③ ④ ⑤ ⑥ ⑦ ⑧

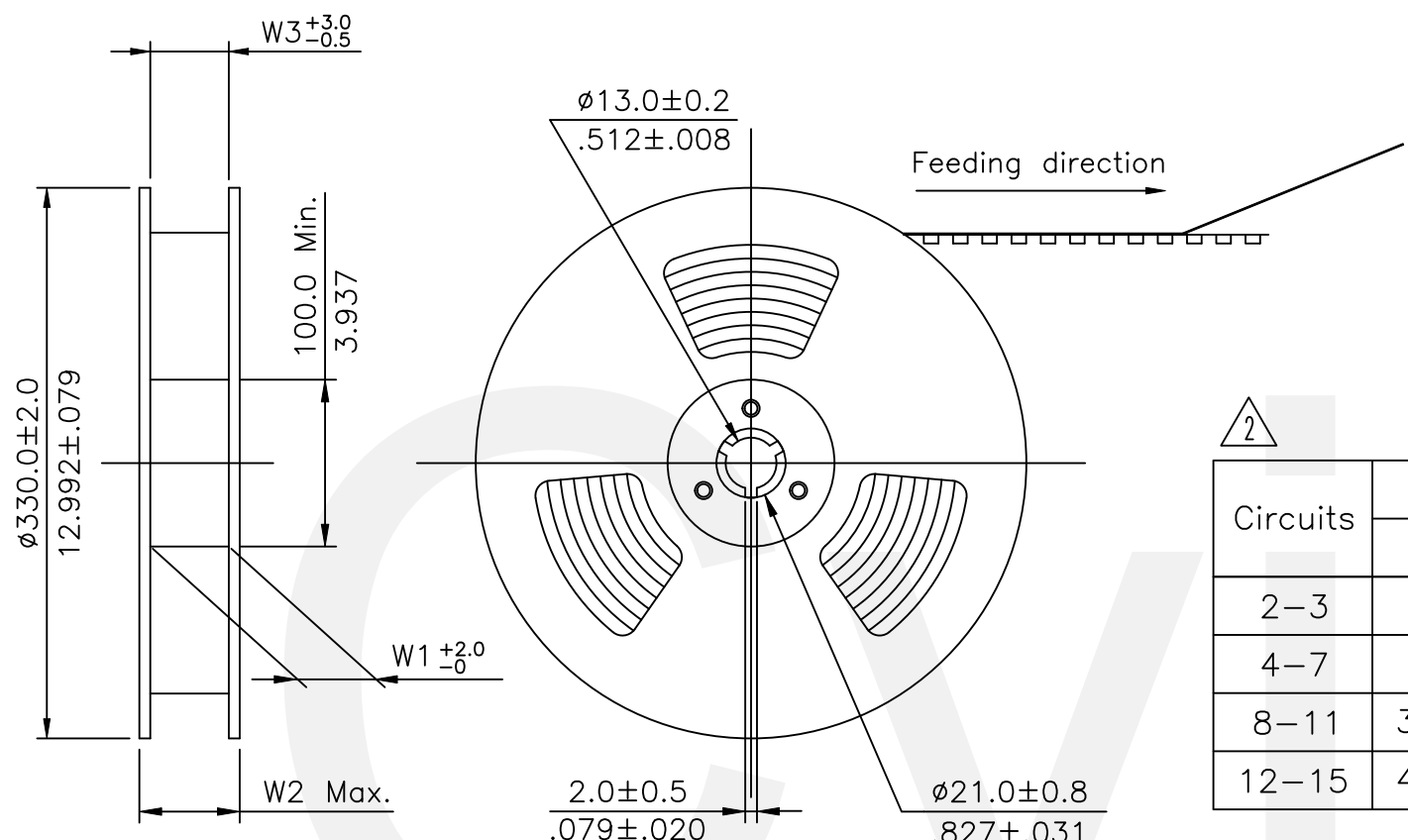
- ① Series No.
- ② No. of Circuits:
- ③ Contacts Type: M=SMT
- ④ Plating: 1= 3.05μm(120μ") Min. Matte Tin over 1.27μm(50μ") Nickel
2= Gold Flash plated over 1.27μm(50μ") Nickel
- ⑤ V = Straight Type
- ⑥ Packing option: R=Tape & Reel with pad
T=Tube Packing without pad
- ⑦ Option: 0 = Standard
- ⑧ -NH= For Lead Free IR Processes and Halogen-Free



Halogen-Free
 Lead Free Process
 RoHS Compliant

④	Amy	12/25-23'	ECNT123179/ECRB123029		DATE	UNIT: mm / inch	TITLE: 1.50MM(.059") Straight SMT Type Header	瀚荃股份有限公司 CviLux Corporation	DRAWING NO.	CI1529SE	PART NO.	CI15**M*V*0-NH	
③	Karen	1/17-18'	ECNT118014	DRAWN BY:	Amy	12/25-23'	TOLERANCE UNLESS OTHERWISE SPECIFIED .X ± 0.30/.012 X.* ± 1" .XX ± 0.20/.008 .X.* ± .XXX ± 0.10/.004 .XX.* ±		MATERIAL:	SCALE	4 / 1	SHEET	1 OF 2
②	Enya	9/11-13'	ECNT113054/ECRH113002	ENGINEER:	Sun	12/25-23'			FINISH:				
①	Sun	9/22-11'	ECR11039-2/ECN11060	CHECKED BY:	Eisley	12/25-23'							
SYM	NAME	DATE	REVISIONS	APPROVED BY:	Eisley	12/25-23'							

CviLux Corp
 2024/01/06
 ISSUED

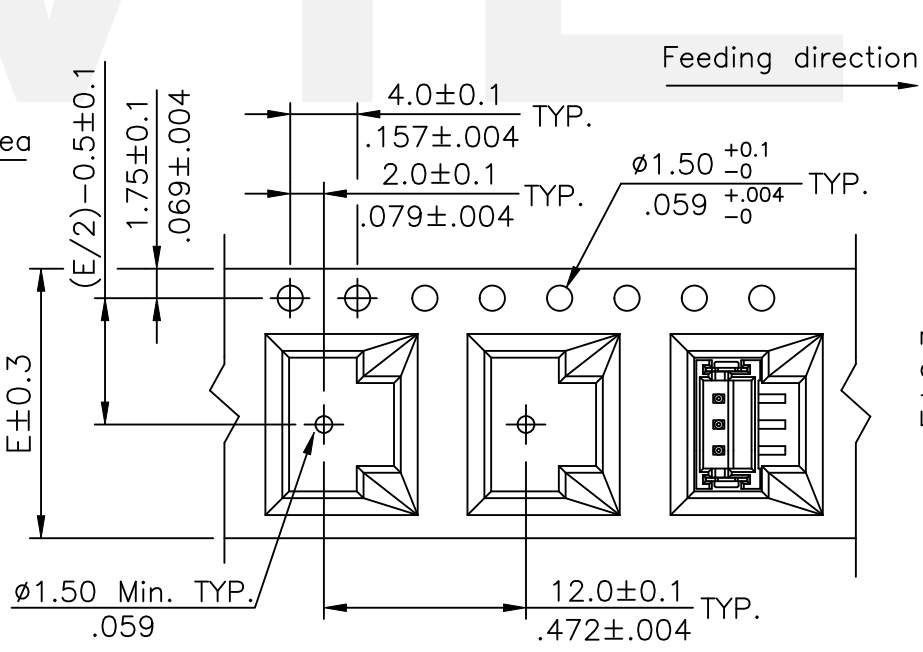
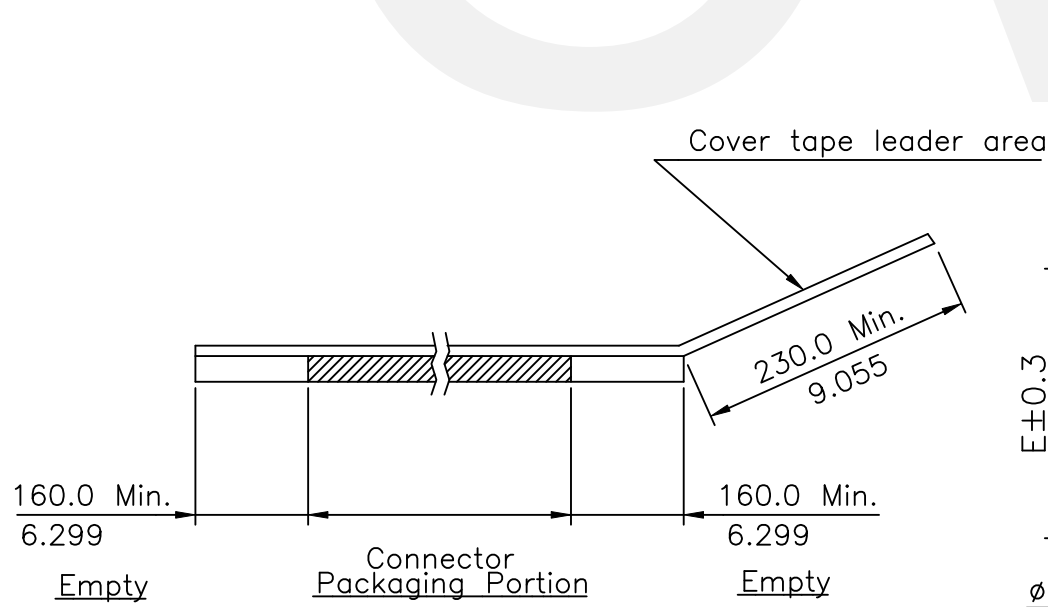


NOTE :

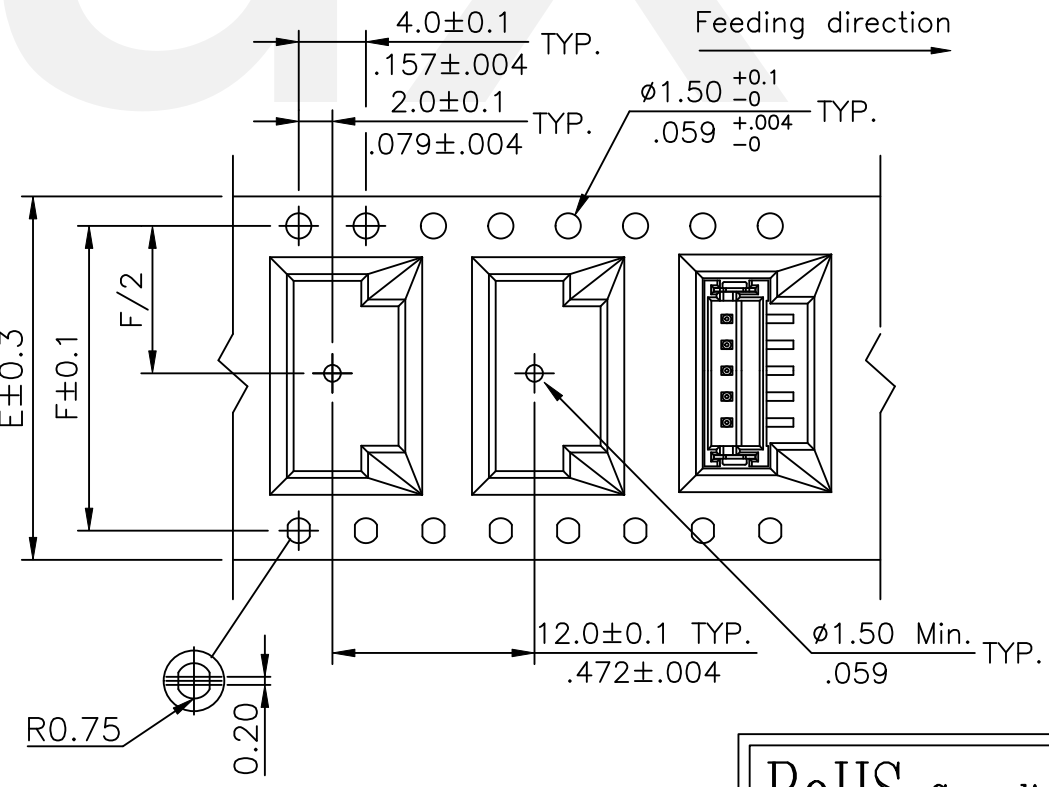
- * Reel Material : HIPS
- * Carrier Material : Clear, Conductive Polystyrene Alloy
- * Cover Tape Material : Polyester
- * Cover Tape Peel Strength : 0.1N – 1.3N
- * Carrier camber is within 1mm in 100mm
- * All dimensions meet EIA-481 requirements.
- * Quantity : 900 PCS/Reel

2

Circuits	Dimension					Packing (Reel/Carton)
	E	F	W1	W2	W3	
2-3	16.0(.630)	-----	16.5(.650)	22.5(.886)	16.5(.650)	11
4-7	24.0(.945)	-----	24.5(.965)	30.5(1.201)	24.5(.965)	9
8-11	32.0(1.260)	28.4(1.118)	32.5(1.280)	38.5(1.516)	32.5(1.280)	7
12-15	44.0(1.732)	40.4(1.596)	44.5(1.752)	50.5(1.988)	44.5(1.752)	5




WIDTH : 16,24 mm Carrier



WIDTH : 32,44 mm Carrier

RoHS Compliant

4	Amy	12/25-23'	ECNT123179/ECRB123029		DATE	UNIT: mm / inch	TITLE: 1.50MM(.059") Siraight SMT Type Header	 瀚荃股份有限公司 CviLux Corporation
3	Karen	1/17-18'	ECNT118014	DRAWN BY: Amy	12/25-23'	TOLERANCE UNLESS OTHERWISE SPECIFIED	MATERIAL:	
2	Enya	9/11-13'	ECNT113054/ECRH113002	ENGINEER: Sun	12/25-23'	.X ± X' ± 1'	FINISH:	DRAWING NO. CI1529SE PART NO. CI15**M*V*0-NH
1	Sun	9/22-11'	ECR11039-2/ECN11060	CHECKED BY: Eisley	12/25-23'	.XX ± X' ±		SCALE SHEET 2 OF 2
SYM	NAME	DATE	REVISIONS	APPROVED BY: Eisley	12/25-23'	.XXX ± XX' ±		

CviLux Corp
 2024/01/06
 ISSUED