

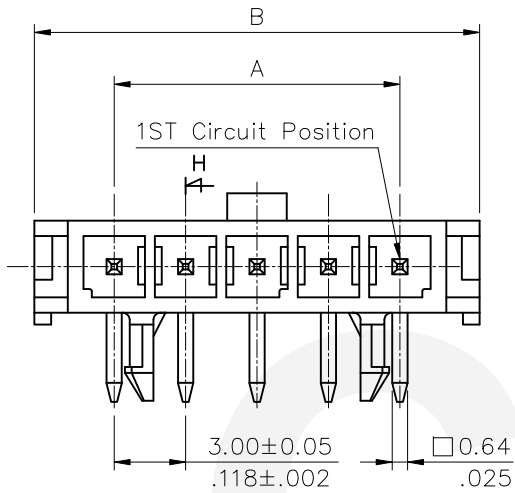
Ordering Code:

CP35 ^① ^② ** ^③ P ^④ * ^⑤ H 0 ^⑥ 0 ^⑦ 0 - ^⑧ S ^⑨ -NH

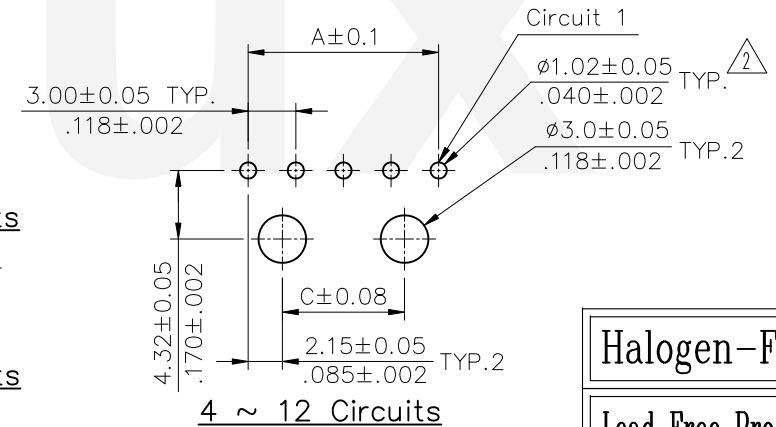
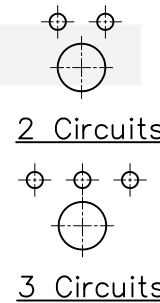
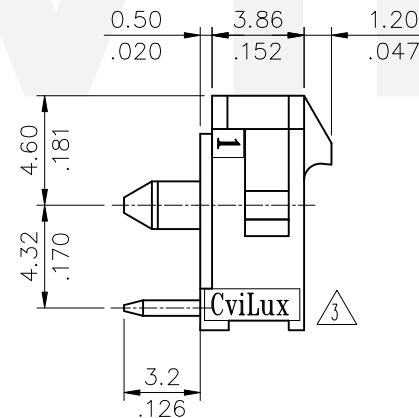
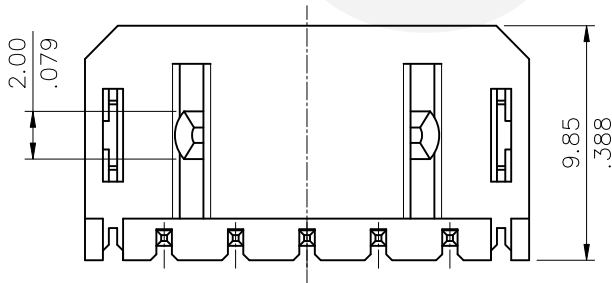
- ① Series No.
- ② No. of Circuits: 02~12
- ③ Contact type: P= Plug
- ④ Contact plated:
 - 1= Matte Tin over Nickel
 - 2= Gold flash plated over 50 μ" Nickel
 - 3= 15 μ" Gold plated over 50 μ" Nickel
 - 4= 30 μ" Gold plated over 50 μ" Nickel
- ⑤ H= Right angle
- ⑥ Mount type : 0= Dip Type
- ⑦ Other options: 0= With plastic board lock (Standard)
- ⑧ S= Single Row Header
- ⑨ NH= Lead Free wave flow process and Halogen Free

Note:

- △* Insulation: High Temperature Plastic
UL 94V-0, Color Black
- * Contact: Brass
- * For Lead Free wave flow process



CIRCUITS	DIM.A	DIM.B	DIM.C
2	3.00(.118)	9.65(.380)	NA
3	6.00(.236)	12.65(.498)	NA
4	9.00(.354)	15.65(.616)	4.7(.185)
5	12.00(.472)	18.65(.734)	7.7(.303)
6	15.00(.591)	21.65(.852)	10.7(.421)
7	18.00(.709)	24.65(.970)	13.7(.539)
8	21.00(.827)	27.65(1.089)	16.7(.657)
9	24.00(.945)	30.65(1.207)	19.7(.776)
10	27.00(1.063)	33.65(1.325)	22.7(.894)
11	30.00(1.181)	36.65(1.443)	25.7(1.012)
12	33.00(1.299)	39.65(1.561)	28.7(1.130)



Recommended P.C. Board layout

Halogen-Free

Lead Free Process

RoHS Compliant

SYM	NAME	DATE	REVISIONS	APPROVED BY:	DATE	UNIT: mm / inch	TITLE: 3.00mm PITCH RIGHT ANGLE HEADER POWER CONNECTOR	瀚荃股份有限公司 CviLux Corporation			
④								DRAWING NO. CP35176SD PART NO. CP35**P*H00-S-NH	SCALE 3 / 1 SHEET 1 OF 1		
③	Eric	3/29-21'	ECNT121017/ECNT121085	DRAWN BY: Eric	3/31-21'	TOLERANCE UNLESS OTHERWISE SPECIFIED	MATERIAL:				
②	Kenny	8/20-20'	ECNT120218	ENGINEER: Sun	3/31-21'	.X ± 0.30/.012 X' ± 1'					FINISH:
①	Yushu	4/15-19'	ECRB118091/ECNT119092	CHECKED BY: Eisley	4/1-21'	.XX ± 0.20/.008 .X' ±					
				APPROVED BY: Eisley	4/1-21'	.XXX ± 0.10/.004 .XX' ±					

